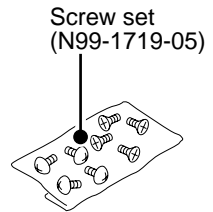
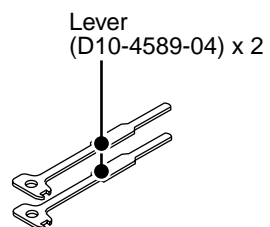
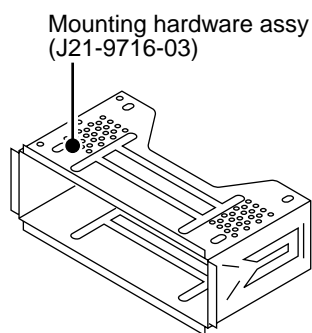
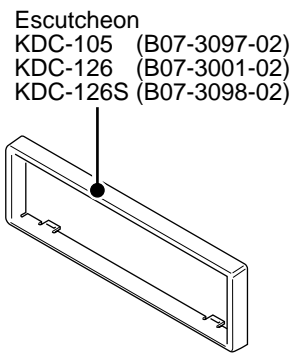
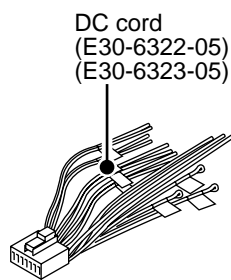
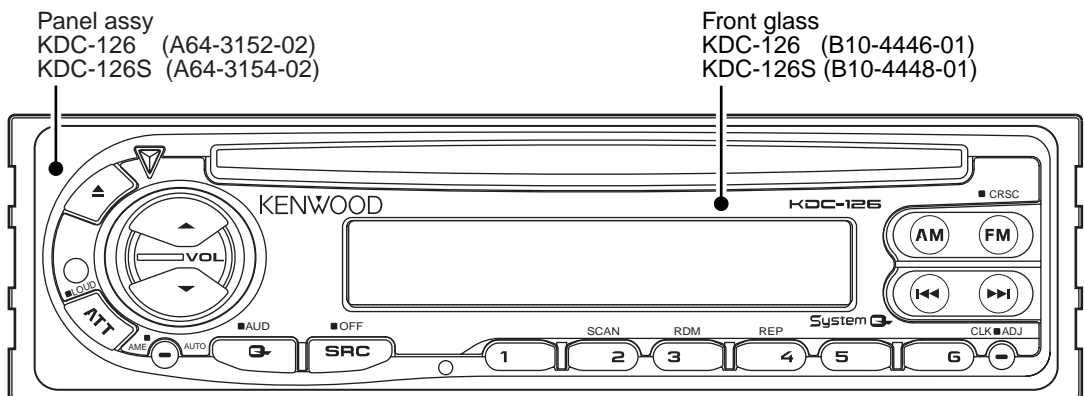
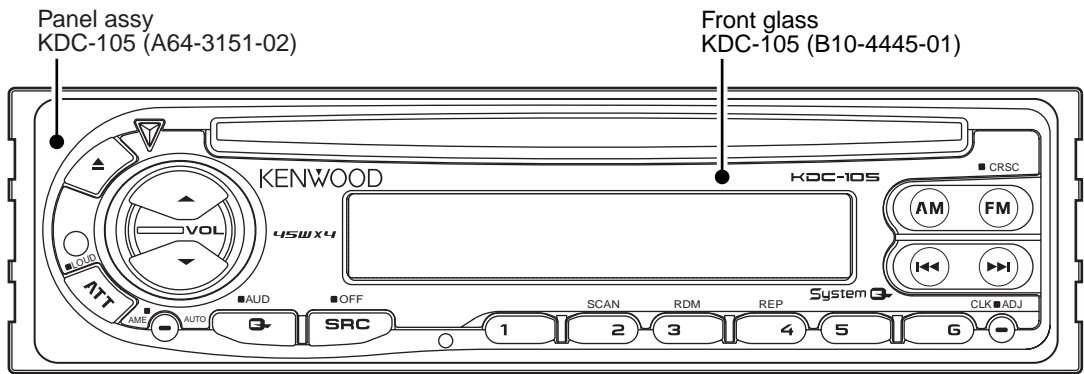


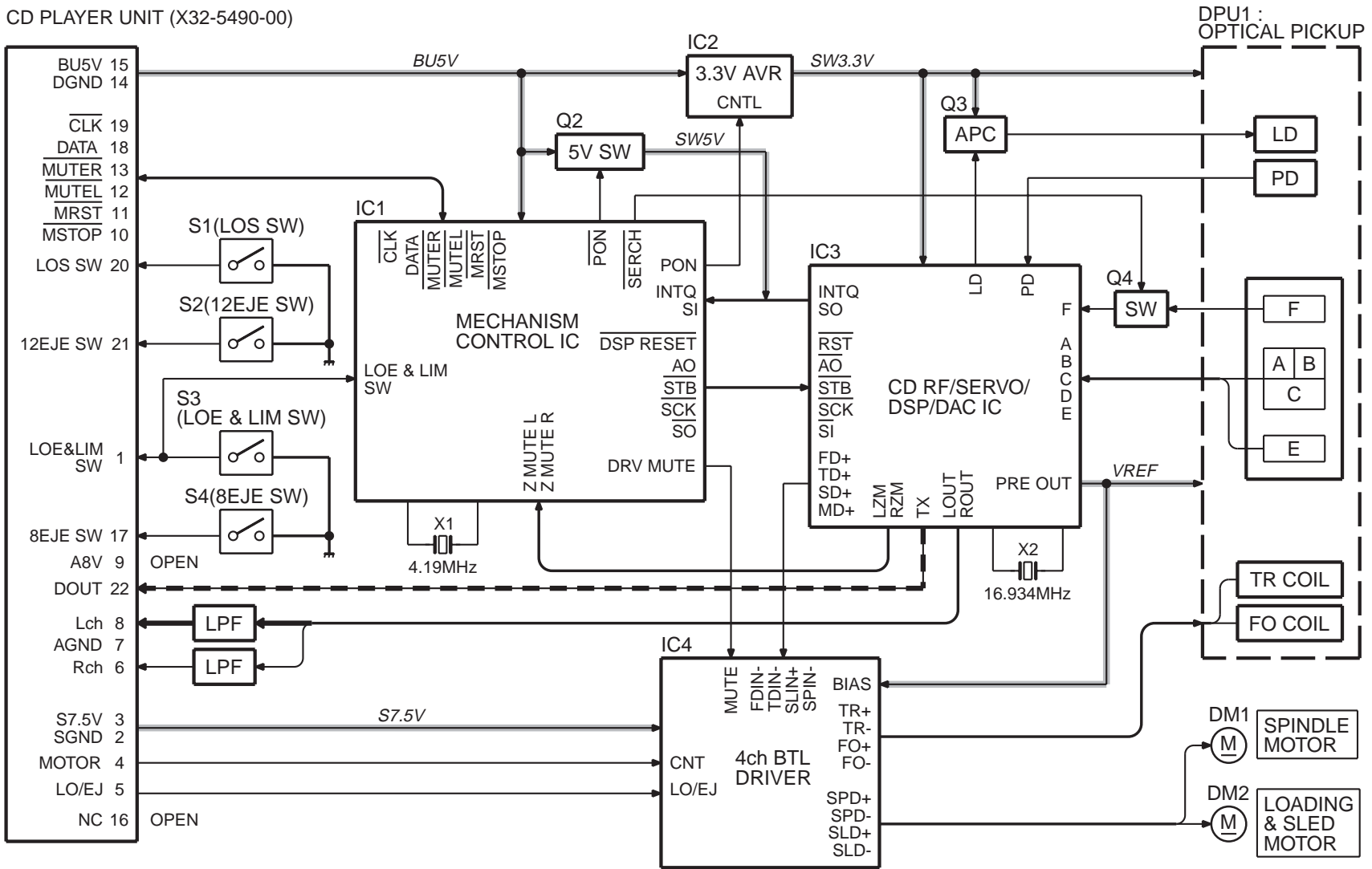
KDC-105 KDC-126/126S

SERVICE MANUAL

CD mechanism extension cord (22PIN) : W05-0618-00



CD PLAYER UNIT (X32-5490-00)



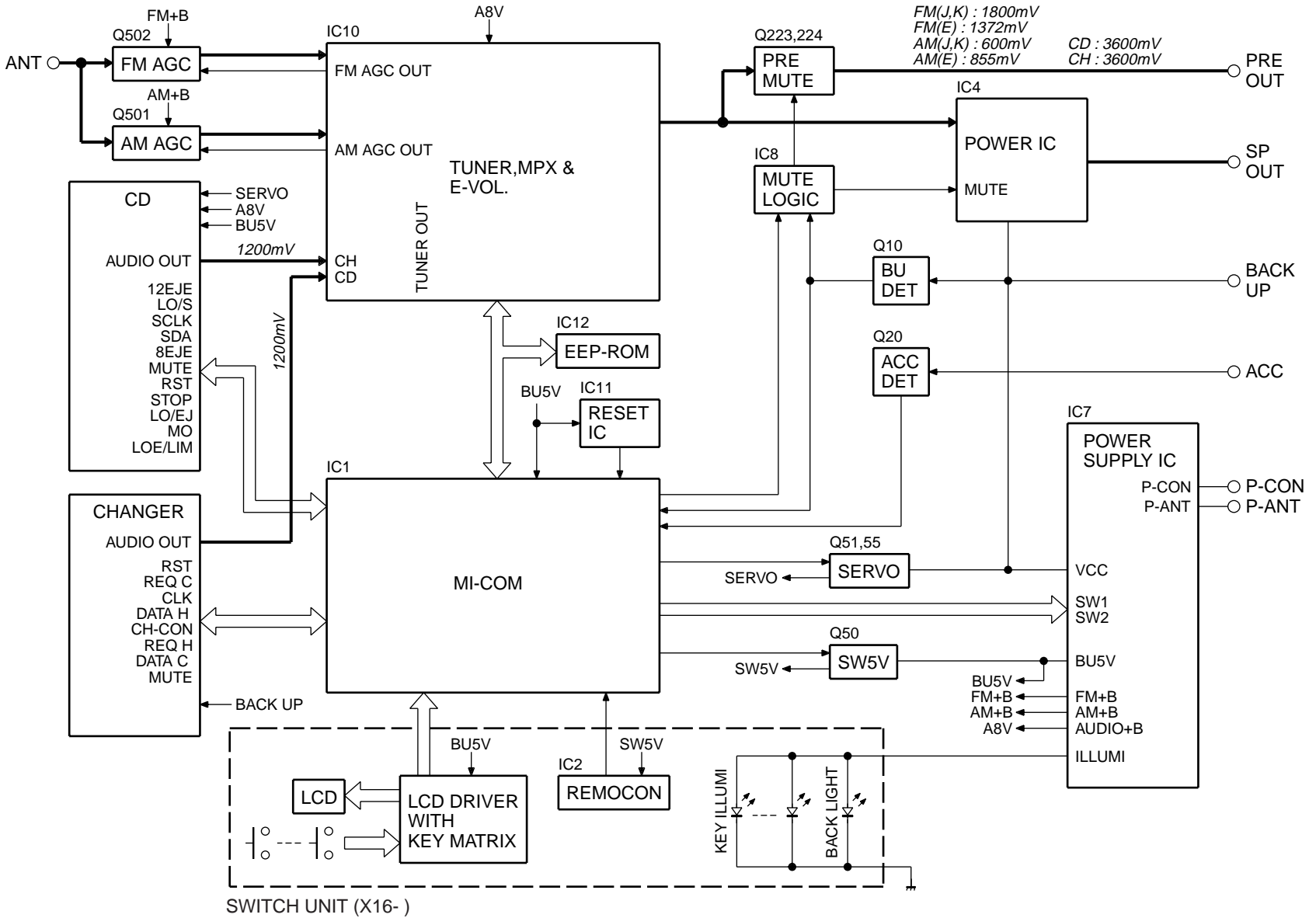
BLOCK DIAGRAM

KDC-105, 126/126S

BLOCK DIAGRAM

KDC-105, 126/126S

ELECTRIC UNIT (X34-)



KDC-105,126/126S

COMPONENTS DESCRIPTION

● SWITCH UNIT (X16-2470-xx)

Ref No.	Application/Functions	Operation/Condition/Compatibility
IC1	LCD driver	LCD derive & Key input interface
Q1	Key scan detect	key scan start at base gose "L".

● CD PLAYER UNIT (X32-5490-00)

Ref No.	Application/Functions	Operation/Condition/Compatibility
IC1	Mechanism control	When BU5V & MSTOP (12pin) goes "H" (IC1 is active)
IC2	SW3.3V AVR	When CNTL (1pin) goes "H" (SW3.3V AVR : ON)
IC3	CD DSP & servo IC	CD RF amp, Servo, DSP & DAC
IC4	BTL driver	Focus, tracking coil, Sled & Spindle motor driver IC
Q2	SW	SW5V SW transistor
Q3	APC	Auto Power Control
Q4	SW	EQ SW transistor

● ELECTRIC UNIT (X34-3110-xx)

Ref No.	Application/Functions	Operation/Condition/Compatibility
IC1	System control IC	System control microprocessor
IC4	Audio power IC	Audio power amplifier
IC7	Power supply IC	Multi AVR IC (for 5V, 8V, P-CON & P-ANT)
IC8	Muting logic IC	Control for MUTE, P-ANT & RESET muting
IC10	E-VOL & tuner IC	E-VOL. FM/AM tuner & stereo decoder
IC11	Reset IC	When BU5V line voltage is less than 3.5V, this IC output line is "L"
IC12	E2PROM	Memorized tuner adjustment data (save & load)
Q10	BU detector	When the base goes "H" during BU applied (ON)
Q20	ACC detector	When the base goes "H" during ACC applied (ON)
Q40	Muting driver foe Q223, 224	When the base goes "L" (Muting : ON)
Q50	SW5V	When the base goes "L" (SW5V : ON)
Q51	SW	Control SW for IC7
Q53	Control SW for SERVO +B	When the base goes "H" (Servo +B : ON)
Q55	SERVO +B AVR	Servo AVR (7.4V)
Q70	Serge detector	When the base goes "H" (Serge detection)
Q223,224	Preout muting SW	When the base goes "H" (Preout muting : ON)
Q251	SW	When the base goes "L" (IC4 : ON)
Q501	AM RF amplifier	When the base goes "H" (RF circuit gain is up)
Q502	FM RF amplifier	When the base goes "H" (RF circuit gain is up)

MICROCOMPUTER'S TERMINAL DESCRIPTION

● SYSTEM MICROCOMPUTER : UPD780058GC556 (X34 : IC1)

Pin No.	Name	I/O	Description	Processing Operation
1	PANEL	I	Panel detection	H : Panel detached, L : Panel attached
2	8EJE SW	I		H : Eject is completed Except 8cm CD model : Always output L
3	NC	O	Not used (out put L)	
4	Avss			
5	L-RST	O	LCD driver RESET	H : Panel detached, L : RESET Normal H, Power off L When 7seg model, output L
6	L-CE	O	LCD driver selection	H : Select (panel communication) When panel attached, output L
7	AVREF1			
8	NC		Not used (connected to 9pin)	
9	IC10-DATA	I/O	IC10, E2PROM data communication	Non communication : H
10	IC10-CLK	O	IC10, E2PROM clock communication	Non communication : H
11	L-DATAL	I	Data input from the LCD driver	Non communication : H When panel detached : L Pull down on X34 unit, Pull up on X16 unit
12	L-DATAS	O	Data output to the LCD driver	When panel detached, output L
13	L-CLK	O	Clock output to the LCD driver	When panel detached, output L
14	R-DATA	I	Data input from the RDS	Except RDS model : Output L
15	R-QUAL	I	Quality input from the RDS	Except RDS model : Output L
16	CH-DATAC	I	Data input from the changer (new 5L)	Except changer model : Output L
17	CH-DATAH	O	Data output to the changer (new 5L)	When non communication, last data keeping Except changer model : Output L
18	CH-CLK	I/O	Clock input/output with the Changer (new 5L)	Check the old and new Except changer model : Output L
19	CH-REQH	O	Request output to the changer (new 5L)	L : Requeset Except changer model : Output L
20	NC	O	Not used (output L)	
21	AFS	O	Noise detection time constant switching terminal	H : Normal, L : FM/AM seek and AF search (When tuner SRC auto zero, L)
22-24	NC	O	Not used (output L)	
25	CH-CONT	O	Changer control	H : Changer on, L : Changer off Except changer model : Output L
26	TYPE REF	O	5V lines output for destination setting	H : During destination reading
27	SD	I	Tuner SD input	H : Station detected
28	NC	O	Not used (output L)	
29	TYPE2	I	Destination type selection terminal 2	Refer to destination type list.
30	TYPE1	I	Destination type selection terminal 1	Refer to destination type list.

KDC-105,126/126S

MICROCOMPUTER'S TERMINAL DESCRIPTION

Pin No.	Name	I/O	Description	Processing Operation																																				
31	TYPE0	I	Destination type selection terminal 0	Refer to destination type list.																																				
32	TUNER-TYPE1	I	Destination available/genuine model rool off	H : Genuine model 1, L : Available model																																				
33	Vss1																																							
34	TUNER-TYPE0	I	Destination available/genuine model noise cancel	H : Genuine model 0, L : Available model																																				
35	MUTE	O	Mute (E.Vol, Preset) control	H : Mute on, L : Mute off Power off after that 15 second L																																				
36	M-DATA	I/O	Data input/output with the CD mechanism	Non communication : H																																				
37	M-CLK	O	Clock output to the CD mechanism	Non communication : H																																				
38	ADJ	O	Tuner lines adjustment	When adjustment = H PS1-0, 1=L PS1-2, 2-0, 1=Hi-z IC10-DATA, CLK=Hi-z																																				
39	P-MUTE	O	Power IC mute control	H : Mute off, L : Mute on Power off after that 15 second H																																				
40	SVR	O	Power IC servo control	H : When momentary power down detected L : Nomal																																				
41	P-STBY	O	Power IC standby control	H : Power IC ON, L : Power IC OFF																																				
42	SW5V	O	SW 5V control	H : SW5V OFF, L : SW5V ON Power off after that 10 second H																																				
43	B.U-DET	I	Back up detection terminal	H : Power down, L : B.U. on																																				
44	ACC-DET	I	ACC detection terminal	H : ACC OFF, L : ACC ON																																				
45	PS1-0	O	Power supply IC SW1 control 0 Audio 8V, P-CON	<table border="1"> <thead> <tr> <th colspan="3">BA4911 SW1</th> <th colspan="3">Power supply IC output</th> </tr> <tr> <th>PS1-2</th> <th>PS1-1</th> <th>PS1-0</th> <th>A8V</th> <th>P-CON</th> <th>P-ANT</th> </tr> </thead> <tbody> <tr> <td>L</td> <td>L</td> <td>L</td> <td colspan="3">STANDBY</td> </tr> <tr> <td>L</td> <td>L (H)</td> <td>H (L)</td> <td>ON</td> <td>OFF</td> <td>OFF</td> </tr> <tr> <td>L</td> <td>H</td> <td>H</td> <td>ON</td> <td>ON</td> <td>OFF</td> </tr> <tr> <td>H</td> <td>H</td> <td>H</td> <td>ON</td> <td>ON</td> <td>ON</td> </tr> </tbody> </table>	BA4911 SW1			Power supply IC output			PS1-2	PS1-1	PS1-0	A8V	P-CON	P-ANT	L	L	L	STANDBY			L	L (H)	H (L)	ON	OFF	OFF	L	H	H	ON	ON	OFF	H	H	H	ON	ON	ON
BA4911 SW1			Power supply IC output																																					
PS1-2	PS1-1	PS1-0	A8V		P-CON	P-ANT																																		
L	L	L	STANDBY																																					
L	L (H)	H (L)	ON	OFF	OFF																																			
L	H	H	ON	ON	OFF																																			
H	H	H	ON	ON	ON																																			
46	PS1-1	O	Power supply IC SW1 control 1 Audio 8V, P-CON																																					
47	PS1-2	O	Power supply IC SW1 control 2 P-ANT																																					
48	PS2-0	O	Power supply IC SW2 control 0 ILLUMI, FM, AM	<table border="1"> <thead> <tr> <th colspan="2">BA4911 SW2</th> <th colspan="3">Power supply IC output</th> </tr> <tr> <th>PS2-1</th> <th>PS2-0</th> <th>ILLUMI</th> <th>FM</th> <th>AM</th> </tr> </thead> <tbody> <tr> <td>L</td> <td>L</td> <td colspan="3">STANDBY</td> </tr> <tr> <td>L (H)</td> <td>H (L)</td> <td>ON</td> <td>ON</td> <td>OFF</td> </tr> <tr> <td>H</td> <td>H</td> <td>ON</td> <td>OFF</td> <td>ON</td> </tr> </tbody> </table>	BA4911 SW2		Power supply IC output			PS2-1	PS2-0	ILLUMI	FM	AM	L	L	STANDBY			L (H)	H (L)	ON	ON	OFF	H	H	ON	OFF	ON											
BA4911 SW2		Power supply IC output																																						
PS2-1	PS2-0	ILLUMI	FM		AM																																			
L	L	STANDBY																																						
L (H)	H (L)	ON	ON	OFF																																				
H	H	ON	OFF	ON																																				
49	PS2-1	O	Power supply IC SW2 control 1 ILLUMI, FM, AM																																					
50	BEEP		BEEP																																					
51	DSI	O	DSI control	H : Light on, L : Light off When panel attached, output L When panel detached, flashing at the panel (H/L) FIX model is output L																																				
52	NC	O	Not used (out put L)																																					
53	NC	O	Not used (out put L)																																					

MICROCOMPUTER'S TERMINAL DESCRIPTION

Pin No.	Name	I/O	Description	Processing Operation
54	LOE/LIM SW	I	CD mechanism down&limit detection	H : Chucking detection, L : Normal
55	MO SW	O	CD mechanism loading motor control output	H : Loading, Eject, Break, L : Play
56	LO/EJ	I/O	CD mechanism loading/Eject switching terminal	H : Eject, L : Loading
57	M-STOP	O	Stop output to the CD mechanism	H : Play, L : Stop
58	M-RST	O	Reset output to the CD mechanism	H : Normal, L : CD mechanism reset
59	M-MUTE	I	Mute input from the CD mechanism	H : Mute off, L : Mute on
60	RESET		Reset input from the System microcomputer	
61	REMO	I	Remote control input	
62	R-CLK	I	RDS clock input	Except RDS model : Output L
63	CH-REQC	I	Request input from the changer (new 5L)	H : Changer detection L : Request Except Changer model : Output L
64	LOS SW	I	CD mechanism loading's switch detected	H : No disc L : Disk in (Loading Start)
65	KEY-REQ	I	Key input detected (11pin L connected to the DATA L)	H : Key no input L : Key input (edge key data reading start)
66	12EJE SW	I	12cm disc detected	L : 12cm disc
67	Vss0			
68	VDD1			
69	X2		MAIN X'tal oscillating circuit	4.19MHz X'tal connection
70	X1		MAIN X'tal oscillating circuit	4.19MHz X'tal connection
71	IC		TEST	
72	XT2		Not used	OPEN
73	XT1			
74	VDD0		VDD	Connected to VDD
75	AVREF0		A/D converter reference voltage control output, connection to the 80pin AVCONT	
76	S-METER	I	S-meter input	
77	NOISE	I	FM noise detection input	
78	PHONE	I	2 way mute	2.5V or greater : NAVI MUTE 1.0V or less : TEL MUTE Except phone mute model : Output L
79	NC	O	Not used (out put L)	
80	AVCONT	O	A/D converter standard voltage control output	H : During A/D converter active same timing with PON

KDC-105,126/126S

MICROCOMPUTER'S TERMINAL DESCRIPTION

● CD MECHANISM CONTROL IC : 789166YGB-A513 (X32 : IC1)

Pin No.	Name	I/O	Description	Processing Operation
1-6	NC	I	NC	GND
7	ZMUTE_L	I	0 bit MUTE detect (Lch)	Less than 54h : NORMAL, More than 54h : ZMUTE detect
8	ZMUTE_R	I	0 bit MUTE detect (Rch)	Less than 54h : NORMAL, More than 54h : ZMUTE detect
9	AVss	-	DGND	
10	/MUTE_L	O	Lch Audio mute control	L : MUTE ON, H : MUTE OFF
11	/MUTE_R	O	Rch Audio mute control	L : MUTE ON, H : MUTE OFF
12	/MSTOP	I	Interruption for stand-by	L : STOP, H : Release for STOP mode
13	INTQ	I	Interruption for DSP IC	H : Interruption
14	/FOGUP	I	Interruption for focus gain up	L : Fo GAIN UP, H : NORMAL
15	PON	O	Power ON/OFF control	H : ON, L : OFF
16	/SCK	O	(for DSP) serial data clock output	
17	Vdd1	-	BU5V	
18	SO	O	(for DSP) serial data output	
19	SI	I	(for DSP) serial data input	
20	/CLK	I/O	(for system control) I2C clock	
21	DATA	I/O	(for system control) I2C data	
22	Vpp	-	(FLASH saving terminal)	
23	XT2	-	NC	OPEN
24	XT1	I	NC	GND
25	/MRESET	I	Reset detect	L : RESET, H : NORMAL
26	X2	-	System clock	4.19MHz
27	X1	I	System clock	4.19MHz
28	Vss0	-	DGND	
29	Vdd0	-	BU5V	
30	LOE&LIM_SW	I	Loading end & limit SW detect	L : Inside detect, H : Outside
31	DRV_MUTE	O	Driver muting	L : MUTE ON, H : MUTE OFF
32,33	NC	O	NC	OPEN
34	/SERCH	O	Condition of serch state	L : Search, H : NORMAL
35	/STB	O	Data strobe signal output	
36	A0	O	Command & parameter signal output	
37	Vss1	-	DGND	
38	/DSP_RESET	O	DSP reset control	L : RESET, H : NORMAL
39-41	NC	O	NC	OPEN
42	/PON	O	Power ON/OFF control	L : ON, H : OFF
43	Avdd	-	BU5V	
44	Avref	-	BU5V	

TEST MODE

1. How to enter test mode

While holding the FM key and preset 6 key and reset the unit. All display segments light up when the test mode is entered.

2. How to exit from test mode

Reset the unit.

Turning ACC off, power off, momentary power down or panel detaching does not terminate the test mode.

3. Test mode specifications of CD receiver

- Pressing the Track Up key skip to tracks in the following sequence:
No.9 → No.15 → No.10 → No.11 → No.12 → No.13 → No.14 → No.9 (repeats the cycle)
- Pressing the Track Down key skip to the track immediately before the track being played.
- Pressing Preset 1 key skip to track No. 28.
- Forced ejection is not provided.

4. Audio functions

- Pressing the AUDIO key or the “*” key on the remote controller initiates the Audio adjustment mode.
- In the Audio adjustment mode, the Seek Up/Down keys on the remote controller can only be pressed shortly. (They cannot be held depressed.)
- The volume is -10dB (which is displayed as “30”).
- LOUDNESS is OFF.
- The Bass/Treble Up/Down and Balance/Fader Up/Down buttons function as full-boost/full-cut and full-front/full-rear respectively.

5. Menu mode (for 14segment model)

- Pressing the CLK or the DNPP key on the remote controller initiates the Menu mode.
- In the Menu mode, the Seek Up/Down keys on the remote controller can only be pressed shortly. (They cannot be held depressed.)
- With the models incorporating RDS, the first operation in the menu becomes local seek.

6. Version and operating hours display

- The following table shows the key operations and resulting display information.

Key Operation	Display
Pressing Preset 1	Version (Date and time display)
Pressing Preset 2	All display segments light up
Pressing Preset 3	CD operating hours
Pressing Preset 4	E2PROM (Adjustment data for IC10)
Pressing Preset 5	CD ejection count
Pressing Preset 6	Number of times adjustment for IC10

- Holding Preset 3 while the operating hour information is displayed clears it.
- Holding Preset 5 while the ejection count information is displayed clears it.

Adjustment Mode

- Adjustable items

1 : Stereo Decoder	Sub address : 9
2 : Configuration	Sub address : D
3 : Stereo decoder Adjustment	Sub address : E
4 : Hi-Cut	Sub address : C
5 : Field strength control	Sub address : B

- Default values

If they are not written in the EEPROM, the default values specified are set in IC10.

Adjustment procedure

- Enter the IC10 Adjustment mode by resetting the unit while holding preset 3 key + preset 6 key.
- Select the TUNER source by pressing SRC.
- When the adjustment mode is entered, the display shows 2-digit hex number.
- When preset 1~5 is recalled, the setting values corresponding to the pressed number are displayed. (The displayed values are those in the RAM.)
- Vary each setting value using ◀◀ and ▶▶ key.
- Store the values in the corresponding preset number.
- The settings can be performed individually for each item. (It is not required to store all the values together.)
- After storing the values, reset the unit to exit from the adjustment mode. The values set in the EEPROM will be read during the resetting.
- When the band is switched, there may be cases in which the preset number being displayed does not coincide with the stored setting value. To check this, be sure to recall the preset number after you switch the band.

Notes

- The items that are not stored will be set to the default values.
- Once a value is stored in memory, the value will always be used later.

(It is not allowed to modify the setting values by switching the destination type.)

ADJUSTMENT

1. IC10 (TDA7513T) -The Tuner adjustment method

- When IC10 and its circumference are fixed, according to the following order, it readjusts if needed.
- The adjustment item changes with parts to exchange. Please refer to "Parts vs Adjustment item table".

1-1. VCO Coil Adjustment - Adjustment of Tuning Voltage

Voltage Check Point : Vt-Check Land
(PWB Side B, around D506)

Adjustment Coil : L507 (VCO Coil)

The adjustment method : VCO coil is turned and adjusted according to the following tables.

TYPE	Mode	freq.	Voltage	Fig
E/M	AM	1611kHz	5.5 ± 0.1(V)	(C)
K	AM	1700kHz	5.8 ± 0.1(V)	(C)
J	FM	90.0MHz	5.6 ± 0.1(V)	(C)

M : AM Adjustment

For Your Information : The frequency of SET is only set up by Pre-Set-Key in case this adjustment

1-2. Adjustment of 1st & 2nd-MIX Coil

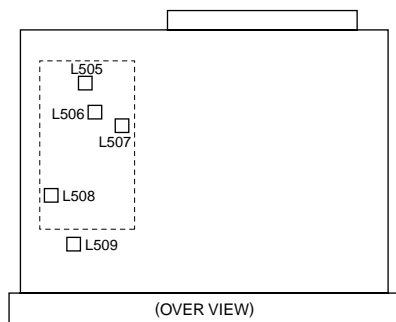
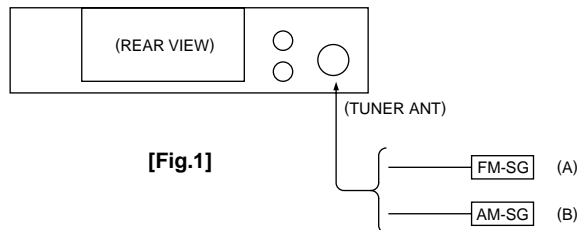
Voltage Check Point : S-METER-Check Land
(PWB Side B, around W572)

Adjustment Coil : 1st IFT = L508 / 2nd IFT = L509

Setting of Signal Generator : Refer to the following tables

TYPE	MODE	freq.	Mod.	ANT Input	Fig
K	AM	1000kHz	OFF	35dBuEMF	(B),(C)
E,M,J	AM	999kHz	OFF	35dBuEMF	(B),(C)

- ① The appearance and the coil with which S-METER DC voltage serves as the maximum are turned and adjusted in the above-mentioned SG input.
- ② By the above-mentioned adjustment method, same adjustment is performed to both sides (1st & 2nd MIX Coil).



[Fig.2]

1-3. Adjustment of FM_ANT&RF Coil

Voltage Check Point : S-METER-Check Land
(PWB Side B, around W572)

Adjustment Coil : ANT Coil = L505
RF Coil = L506

Setting of Signal Generator : Refer to the following tables.

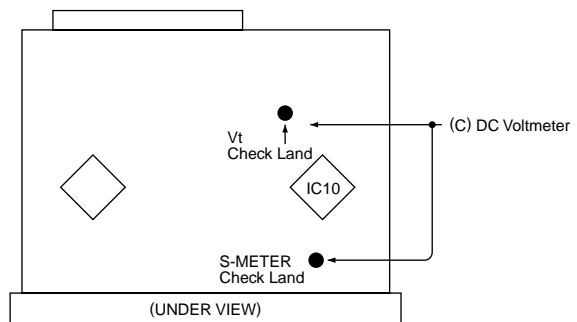
TYPE	MODE	freq.	Mod.	ANT Input	Fig
E/M	FM	87.5MHz	OFF	5 or 11dBuEMF	(A),(C)
K	FM	87.9MHz	OFF	5 or 11dBuEMF	(A),(C)
J	FM	76.0MHz	OFF	5 or 11dBuEMF	(A),(C)

- ① The appearance and the coil with which S-METER DC voltage serves as the maximum are turned and adjusted in the above-mentioned SG input.
- ② By the above-mentioned adjustment method, same adjustment is performed to both sides (ANT & RF Coil).

1-4. Adjustment of STEREO (adjustment of 456k-VCO)

Adjust in TEST MODE

- How to enter the test mode
While pressing on [FM] and [PRESET 6] keys, reset the unit.
- Adjustment method
Complete on condition that show "ALL OFF" when pressing on [PRESET 1] and [PRESET 6] keys.
(Writing adjustment valve to the EEPROM.)
Effect of adjustment is in confirmation of adjustment status at [PRESET 4] key.
- Display of [PRESET 4]
Adjustment "OK" : 14seg model "E2P OK" 7seg model "EPO"
Adjustment "NG" : 14seg model "E2P ERR" 7seg model "EPE"
- Releasing the test mode
Reset mode only.
ACC off, Power off, Power down and Remove the panel mode is not releasing.



[Fig.3]

ADJUSTMENT

2. IC10 (TDA7513T) Replacement - Parts vs Adjustment Item Table

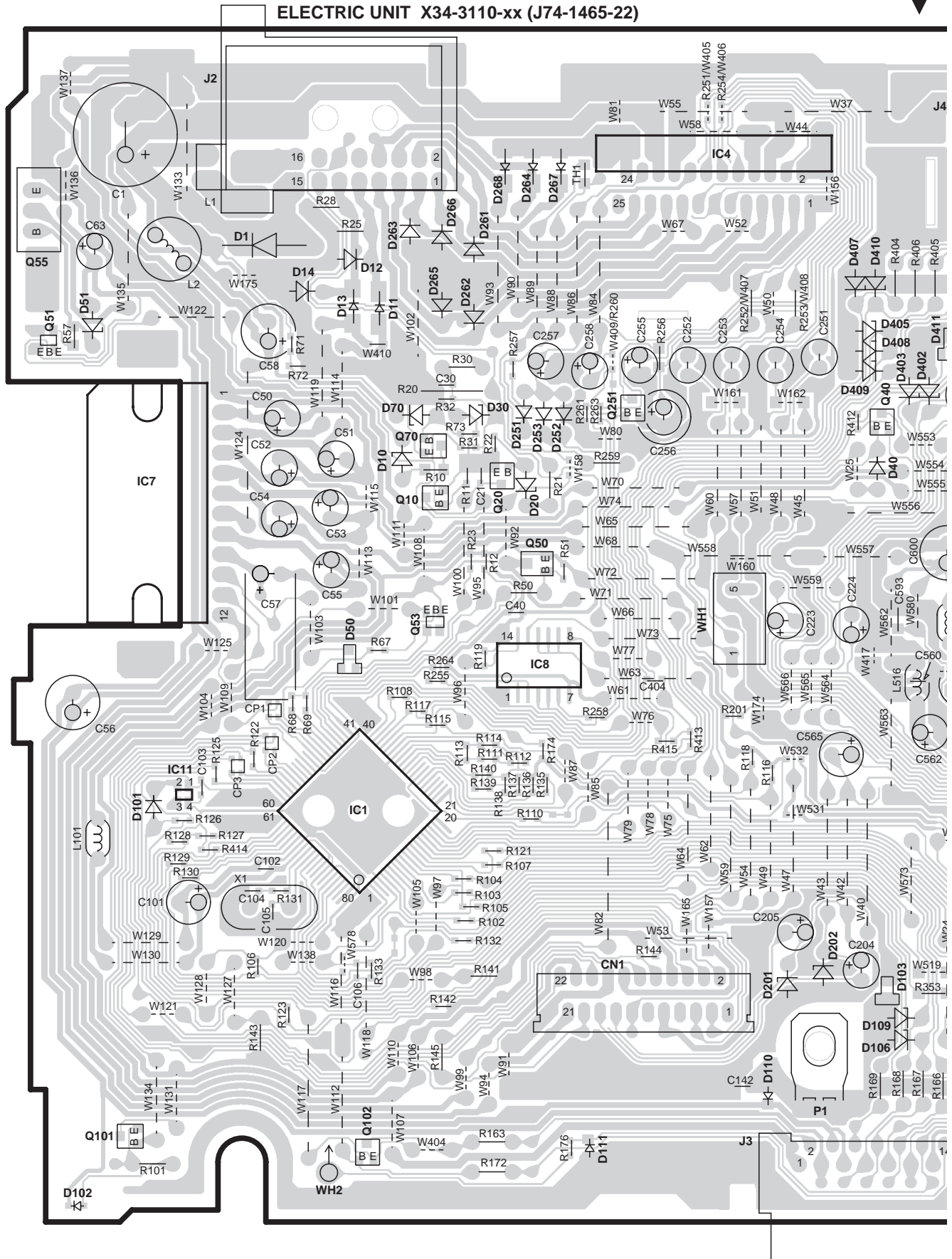
- When the parts in the following tables are exchanged, please readjust according to a table.
- When other parts are exchanged, please perform only a check of operation. There is no necessity for readjustment.

Replacement parts				Adjustment Item					
Parts Name	Ref Number	TYPE	Parts Number	VCOVt	1st MIX	2nd MIX	ANT Coil	RF Coil	Stereo
	IC10	ALL	TDA7513T	○	○	○	○	○	○
EEP-ROM			M24C01-WMN6T						
	IC12	ALL	BR24C01AF-W S-24CS02AFJ-TB	○	○	○	○	○	○
Antenna Coil	L505	J E,K,M	L31-0966-05 L31-0967-05				○		
RF Coil	L506	J E,K,M	L31-0969-05 L31-0970-05					○	
VCO Coil	L507	J E,K,M	L32-0932-05 L32-0936-05	○	○	○	○	○	
1st MIX Coil	L508	ALL	L30-0770-05		○				
2nd MIX Coil	L509	ALL	L30-0771-05			○			
Variable Capacitance Diodes	D504	ALL	KV1720S	○	○	○	○	○	
Variable Capacitance Diodes	D505	ALL	KV1720S	○	○	○	○	○	
Variable Capacitance Diodes	D506	ALL	KV1720S	○	○	○	○	○	
X'tal	X501	ALL	L77-2077-05						

• The "○" mark shows that the adjustment is need.

KDC-105,126/126S
PC BOARD (FOIL SIDE VIEW)

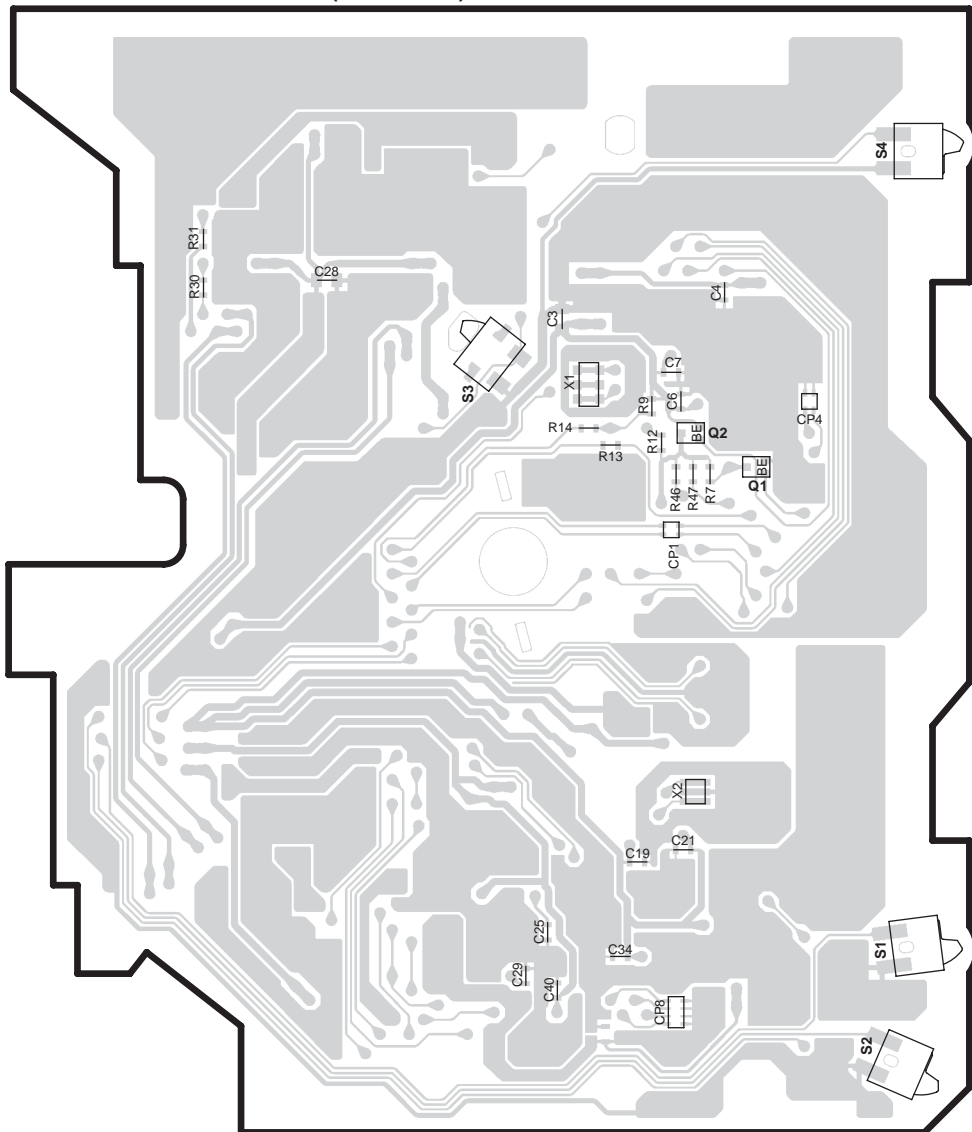
ELECTRIC UNIT X34-3110-xx (J74-1465-22)



KDC-105,126/126S

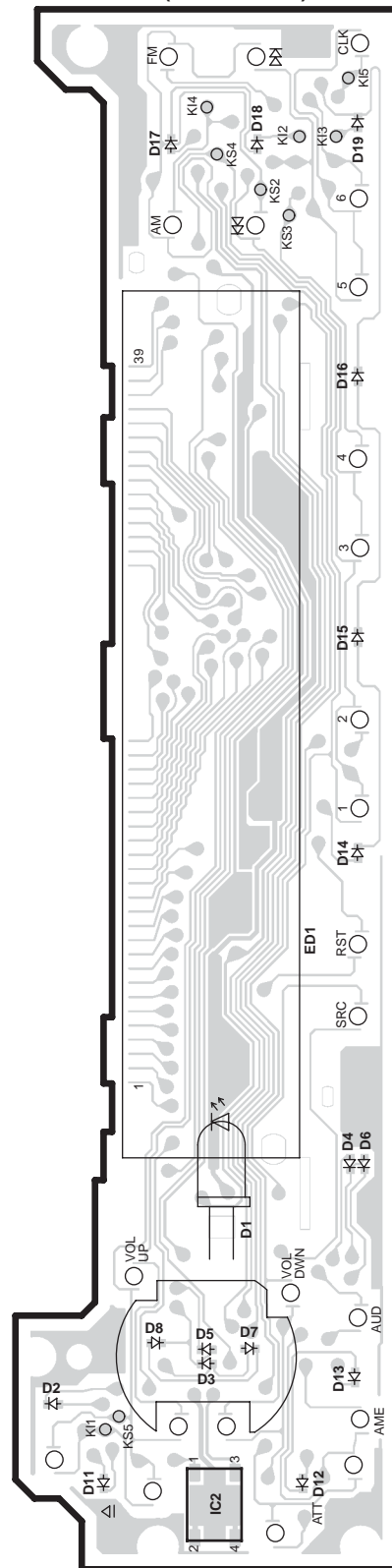
PC BOARD (COMPONENT SIDE VIEW)

CD PLAYER UNIT X32-5490-00 (J74-1551-02)



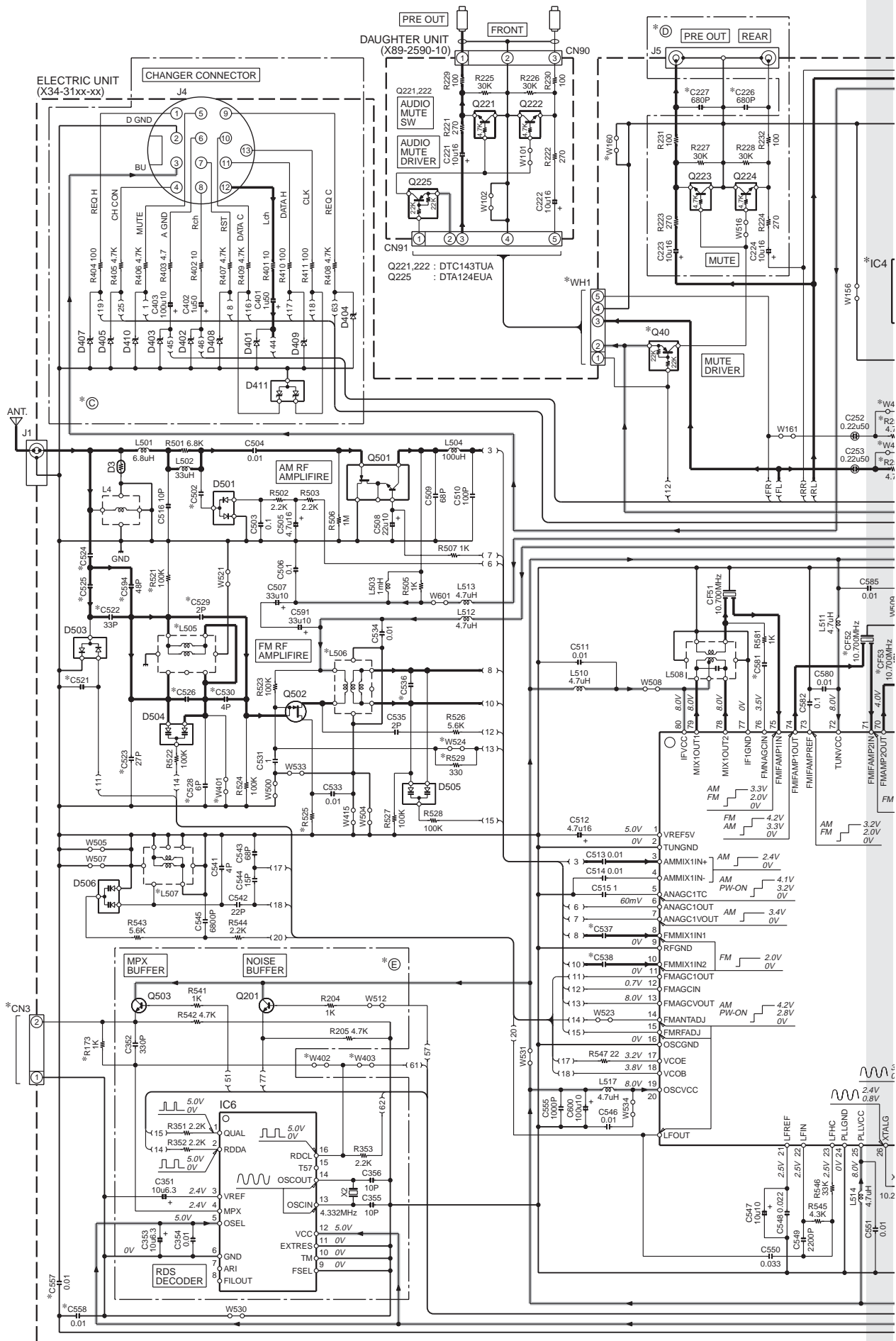
X32-5490-00

Q	Address
2	3M

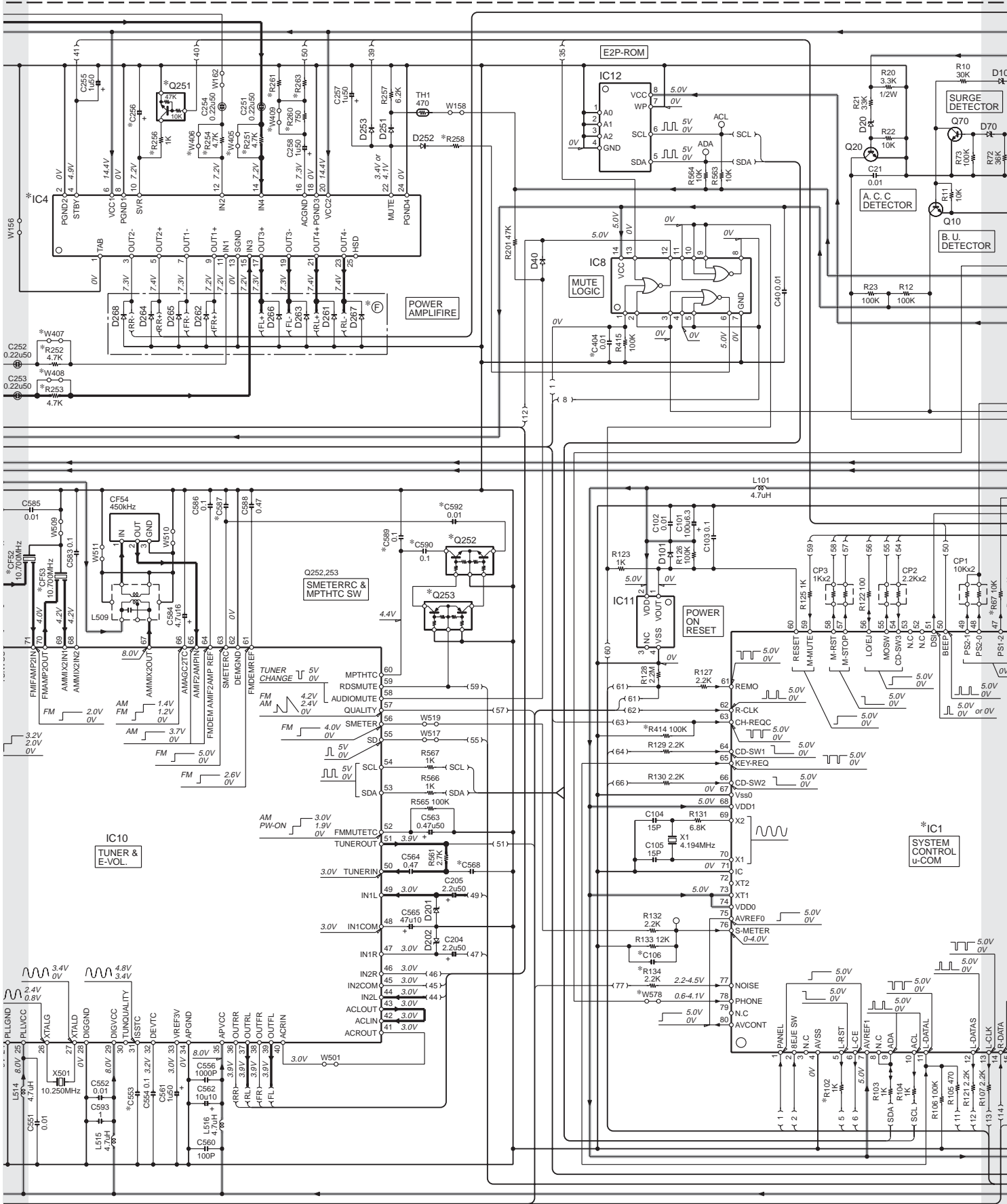
SWITCH UNIT
X16-2470-xx (J74-1563-902)

Refer to the schematic diagram for the values of resistors and capacitors.

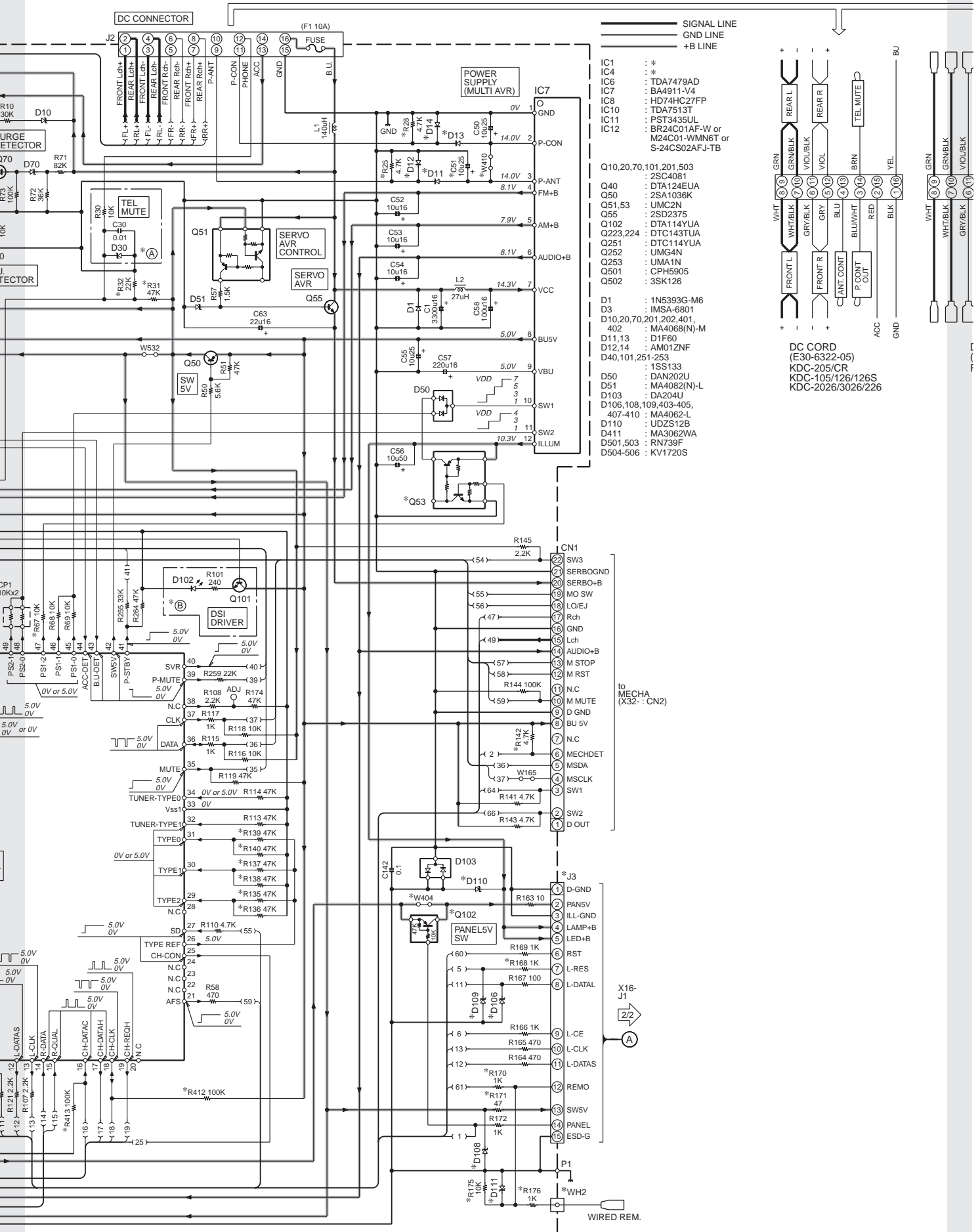
KDC-105,126/126S



KDC-105,126/126S

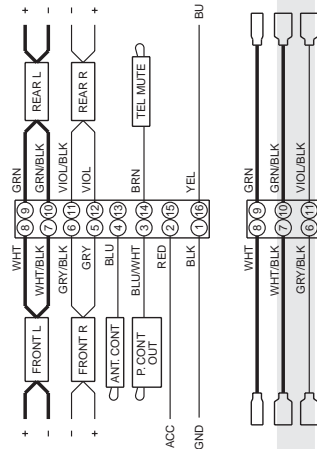


KDC-105,126/126S



——— SIGNAL LINE
 ——— GND LINE
 ——— +B LINE

- IC1 : *
 - IC4 : *
 - IC6 : TDA7479AD
 - IC7 : BA4911-V4
 - IC8 : HD74HC27FP
 - IC10 : TDA7513T
 - IC11 : PST3435UL
 - IC12 : BR24C01AF-W or M24C01-WMN6T or S-24CS02AFJ-TB
-
- Q10,20,70,101,201,503 : 2SC4081
 - Q40 : DTA124EUA
 - Q50 : 2SA1036K
 - Q51.53 : UMC2N
 - Q55 : 2SD2375
 - Q102 : DTA114YUA
 - Q223,224 : DTC143TUA
 - Q251 : DTC114YUA
 - Q252 : UMG4N
 - Q253 : UMA1N
 - Q501 : CPH5905
 - Q502 : 3SK126
-
- D1 : 1N5393G-M6
 - D3 : IMSA-6801
 - D10,20,70,201,202,401,402 : MA4068(N)-M
 - D11,13 : D1F60
 - D12,14 : AM01ZNF
 - D40,101,251-253 : 1SS133
 - D50 : DAN202U
 - D51 : MA4082(N)-L
 - D103 : DA204U
 - D108,108,109,403-405,407-410 : MA4062-L
 - D110 : UDZS12B
 - D411 : MA3062WA
 - D501,503 : RN739F
 - D504-506 : KV1720S



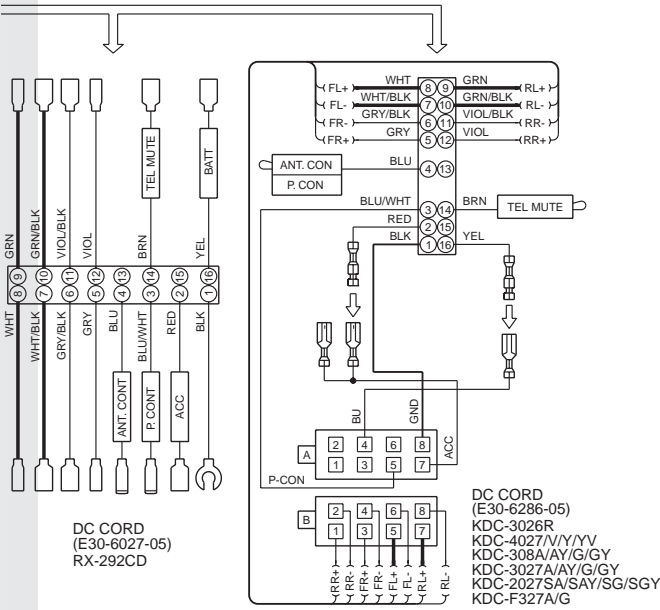
DC CORD
 (E30-6322-05)
 KDC-205/CR
 KDC-105/126/126S
 KDC-2026/3026/226

to MECHA (X32 : CN2)

X16-J1

(A)

KDC-105,126/126S



CAUTION : For continued safety, replace safety critical components only with manufacturer's recommended parts (refer to parts list).
 ⚠ Indicates safety critical components. To reduce the risk of electric shock, leakage-current or resistance measurements shall be carried out (exposed parts are acceptably insulated from the supply circuit) before the appliance is returned to the customer.

- DC voltages are as measured with a high impedance voltmeter. Values may vary slightly due to variations between individual instruments or/and units.

KDC-105 (1/2)

(X34-31xx-xx)

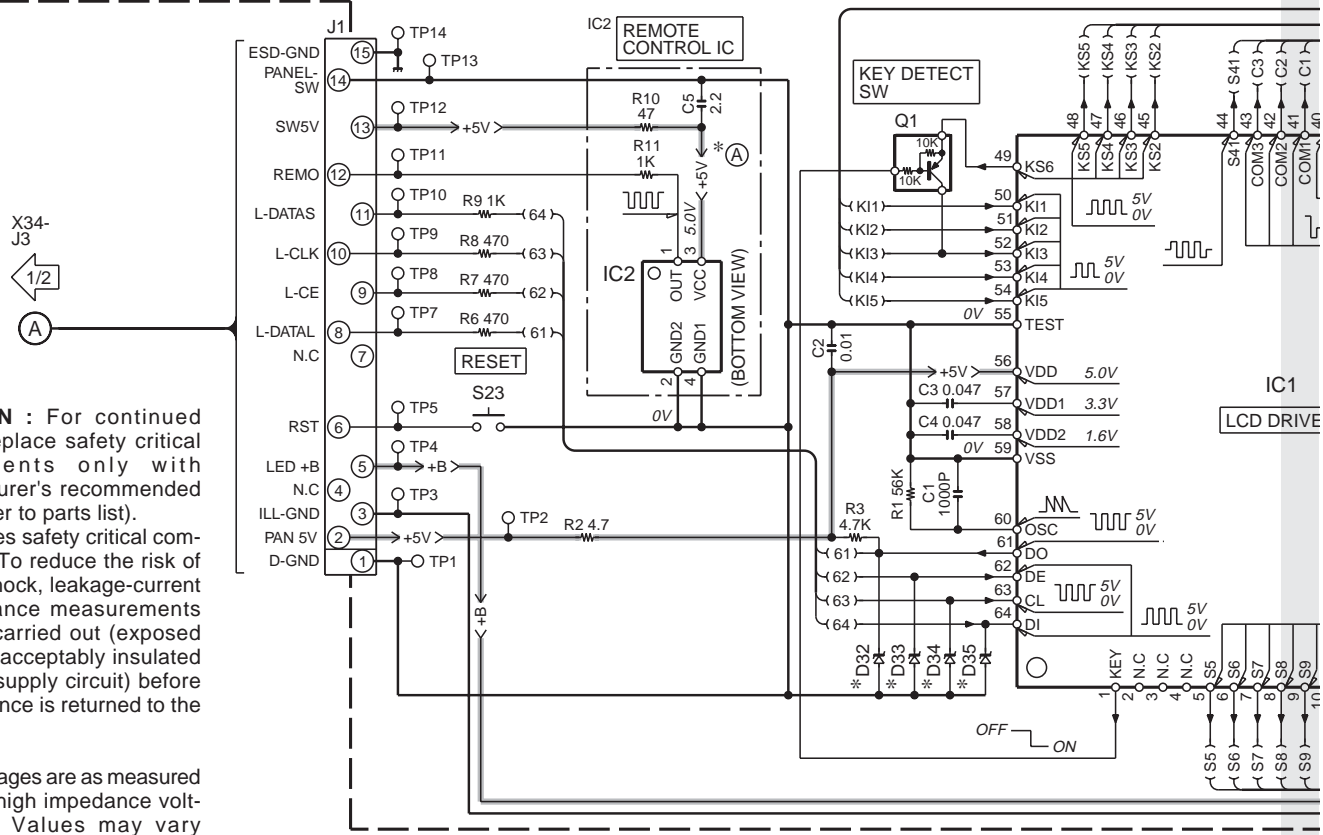
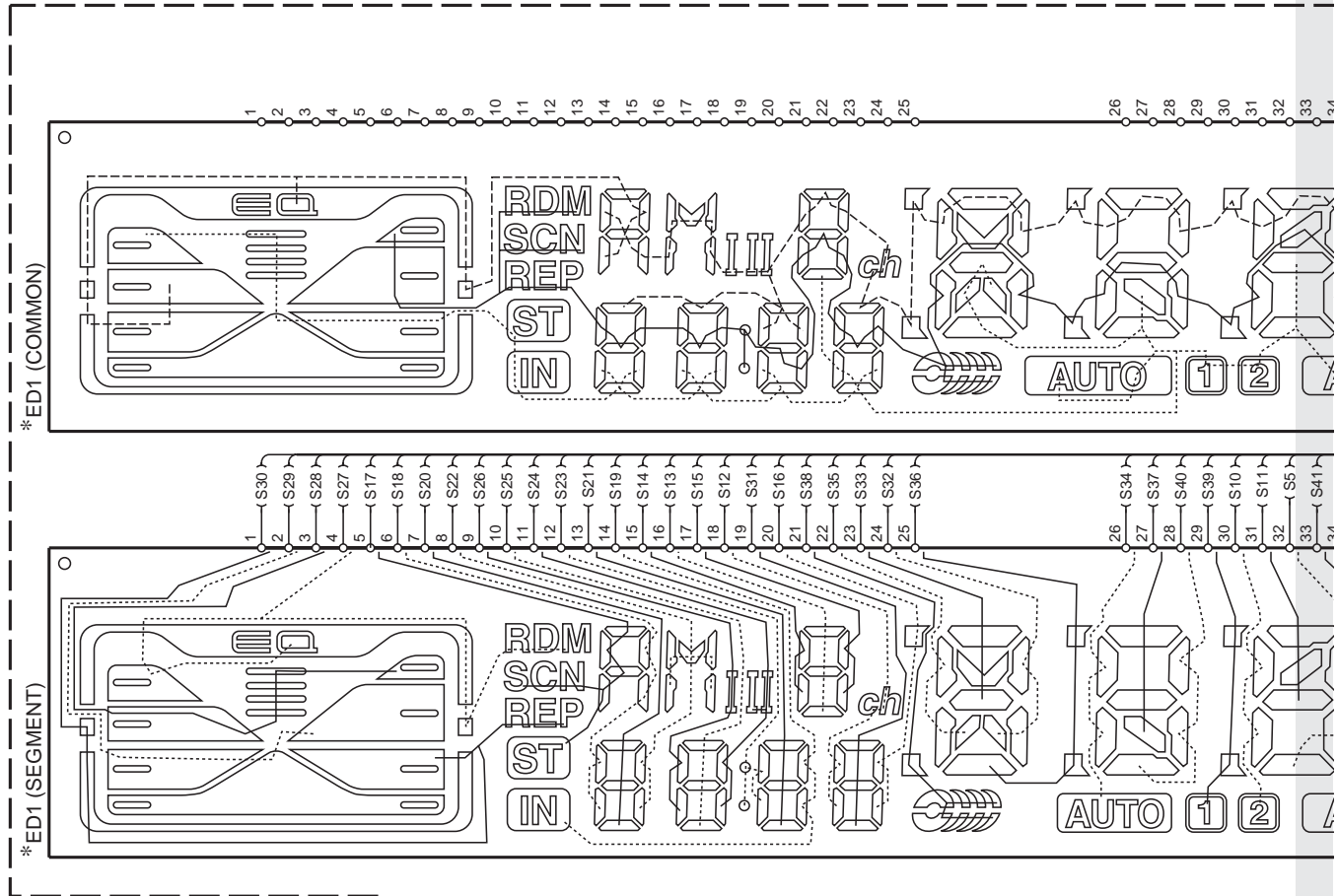
MODEL NAME	UNIT No.	A	E	B	C	D	F	C51	C106	C404	C226, 227	C256	C502	C521	C522,523, 528,530	C524	C525	C526	C529,557, 558,594	C536	C537, 538	C553	C568	C581	C587	C589	C590, 592	CF52, 53	CN3
KDC-4027/Y	02-70	YES	YES	YES	YES	YES	YES	NO	1000P	YES	YES	33u50	1500P	0.1	YES	100P	0.01	5P	NO	4P	8P	0.047	220P	2P	820P	NO	YES	L72-0716-05	NO
KDC-4027V/VY	02-71	YES	YES	YES	YES	YES	YES	NO	1000P	YES	YES	33u50	1500P	0.1	YES	100P	0.01	5P	NO	4P	8P	0.047	220P	2P	820P	NO	YES	L72-0716-05	NO
KDC-3027A/AY	02-72	YES	YES	NO	YES	NO	NO	NO	1000P	NO	YES	100u50	1500P	0.1	YES	100P	0.01	5P	NO	4P	8P	0.047	220P	2P	820P	NO	YES	L72-0716-05	NO
KDC-F327A																													
KDC-3027G/GY	02-73	YES	YES	NO	YES	NO	NO	NO	1000P	NO	YES	100u50	1500P	0.1	YES	100P	0.01	5P	NO	4P	8P	0.047	220P	2P	820P	NO	YES	L72-0716-05	NO
KDC-308G/GY																													
KDC-2027SA/SAY	02-74	NO	YES	NO	YES	NO	NO	NO	1000P	NO	YES	100u50	1500P	0.1	YES	100P	0.01	5P	NO	4P	8P	0.047	820P	2P	0.01	YES	NO	L72-0716-05	NO
KDC-2027SG/SGY																													
KDC-3026R	00-21	YES	YES	YES	YES	YES	YES	NO	1000P	YES	YES	33u50	1500P	0.1	YES	100P	0.01	5P	NO	4P	8P	0.047	220P	2P	820P	NO	YES	L72-0716-05	NO
KDC-205	10-12	NO	YES	NO	YES	YES	NO	NO	1500P	NO	NO	33u50	1500P	0.1	YES	100P	0.01	5P	NO	4P	8P	0.1	820P	2P	0.01	YES	NO	L72-0781-05	NO
KDC-105	10-13	NO	YES	NO	YES	NO	NO	NO	1500P	NO	NO	100u50	1500P	0.1	YES	100P	0.01	5P	NO	4P	8P	0.1	820P	2P	0.01	YES	NO	L72-0781-05	NO
KDC-205CR	10-14	NO	YES	NO	YES	NO	NO	NO	1500P	NO	NO	100u50	1500P	0.1	YES	100P	0.01	5P	NO	4P	8P	0.1	820P	2P	0.01	YES	NO	L72-0781-05	NO
KDC-3026	10-21	NO	YES	YES	YES	YES	YES	YES	1500P	YES	NO	33u50	1500P	0.1	YES	100P	0.01	5P	NO	4P	8P	0.1	820P	2P	0.01	YES	NO	L72-0781-05	NO
KDC-2026	10-22	NO	YES	YES	YES	YES	YES	YES	1500P	YES	NO	33u50	1500P	0.1	YES	100P	0.01	5P	NO	4P	8P	0.1	820P	2P	0.01	YES	NO	L72-0781-05	NO
KDC-226	10-23	NO	YES	NO	YES	NO	YES	NO	1500P	NO	NO	100u50	1500P	0.1	YES	100P	0.01	5P	NO	4P	8P	0.1	820P	2P	0.01	YES	NO	L72-0781-05	NO
KDC-126/S	10-24	NO	NO	NO	YES	NO	YES	NO	1500P	NO	NO	100u50	1500P	0.1	YES	100P	0.01	5P	NO	4P	8P	0.1	820P	2P	0.01	YES	NO	L72-0781-05	NO
RX-292CD	10-01	NO	NO	NO	NO	NO	YES	YES	1500P	NO	NO	33u50	0.01	0.47	NO	22P	1000P	10P	YES	15P	4P	0.1	820P	3P	0.01	YES	NO	L72-0781-05	NO

UNIT No.	D11, 12	D13, 14	D106, 108,110	D109	D111	IC1	IC4	J3	L505	L506	L507	Q40	Q53	Q102	Q251	Q252, 253	R25	R28, 521	R31, 32	R67	R102, 134,168	R135	R136	R137	R138	R139	
02-70	YES	YES	YES	YES	YES	UPD780058GC554	TDA7560	E58-0879-05	L31-0967-05	L31-0970-05	L32-0936-05	YES	NO	YES	NO	YES	YES	YES	YES	NO	YES	YES	NO	YES	NO	YES	YES
02-71	YES	YES	YES	YES	YES	UPD780058GC554	TDA7560	E58-0879-05	L31-0967-05	L31-0970-05	L32-0936-05	YES	NO	YES	NO	YES	YES	YES	YES	NO	YES	YES	NO	YES	NO	YES	YES
02-72	YES	YES	YES	YES	YES	UPD780058GC554	TDA7386	E58-0879-05	L31-0967-05	L31-0970-05	L32-0936-05	YES	NO	YES	YES	YES	YES	YES	YES	NO	YES	YES	NO	YES	NO	YES	NO
02-73	YES	YES	YES	YES	YES	UPD780058GC554	TDA7386	E58-0879-05	L31-0967-05	L31-0970-05	L32-0936-05	YES	NO	YES	YES	YES	YES	YES	YES	NO	YES	YES	NO	YES	NO	YES	NO
02-74	YES	YES	YES	NO	NO	UPD780058GC555	TDA7386	E58-0879-05	L31-0967-05	L31-0970-05	L32-0936-05	YES	NO	YES	YES	YES	YES	YES	YES	NO	YES	YES	NO	YES	NO	YES	NO
00-21	YES	YES	YES	YES	NO	UPD780058GC554	TDA7560	E58-0879-05	L31-0967-05	L31-0970-05	L32-0936-05	YES	NO	YES	NO	YES	YES	YES	YES	NO	YES	YES	NO	YES	NO	YES	YES
10-12	NO	YES	YES	NO	NO	UPD780058GC555	TDA7560	E58-0879-05	L31-0967-05	L31-0970-05	L32-0936-05	YES	NO	YES	NO	YES	YES	YES	YES	NO	YES	YES	NO	YES	NO	YES	YES
10-13	NO	YES	NO	NO	NO	UPD780058GC556	TDA7386	E58-0880-05	L31-0967-05	L31-0970-05	L32-0936-05	YES	NO	YES	NO	YES	YES	YES	YES	NO	YES	YES	NO	YES	NO	YES	YES
10-14	NO	YES	YES	NO	NO	UPD780058GC555	TDA7386	E58-0879-05	L31-0967-05	L31-0970-05	L32-0936-05	YES	NO	YES	YES	YES	YES	YES	YES	NO	YES	YES	NO	YES	NO	YES	YES
10-21	YES	YES	YES	NO	NO	UPD780058GC555	TDA7560	E58-0879-05	L31-0967-05	L31-0970-05	L32-0936-05	YES	YES	YES	YES	YES	YES	YES	YES	NO	YES	YES	NO	YES	NO	YES	YES
10-22	YES	YES	YES	NO	NO	UPD780058GC555	TDA7560	E58-0879-05	L31-0967-05	L31-0970-05	L32-0936-05	YES	YES	YES	YES	YES	YES	YES	YES	NO	YES	YES	NO	YES	NO	YES	YES
10-23	YES	YES	YES	NO	NO	UPD780058GC555	TDA7386	E58-0879-05	L31-0967-05	L31-0970-05	L32-0936-05	YES	YES	YES	YES	YES	YES	YES	YES	NO	YES	YES	NO	YES	NO	YES	YES
10-24	YES	YES	NO	NO	NO	UPD780058GC556	TDA7386	E58-0880-05	L31-0967-05	L31-0970-05	L32-0936-05	YES	YES	YES	YES	YES	YES	YES	YES	NO	YES	YES	NO	YES	NO	YES	YES
10-01	YES	NO	NO	NO	NO	UPD780058GC556	TDA7560	E58-0880-05	L31-0966-05	L31-0969-05	L32-0932-05	NO	YES	NO	NO	NO	NO	NO	NO	YES	NO	YES	NO	YES	NO	YES	NO

UNIT No.	R140	R142	R170, 171	R173	R175	R176	R251-254, 256,260	R258	R261	R263	R412-414	R525	R529	W160	W401	W402, 403	W404	W405-409	W410, 578	W524	WH1	WH2
02-70	NO	NO	YES	NO	NO	YES	NO	220	10	4.3K	YES	330	NO	NO	NO	NO	NO	NO	YES	YES	NO	YES
02-71	NO	NO	YES	NO	NO	YES	NO	220	10	4.3K	YES	330	NO	NO	NO	NO	NO	NO	YES	YES	NO	YES
02-72	YES	NO	NO	NO	YES	YES	YES	100	430	180K	NO	330	NO	NO	NO	NO	NO	NO	YES	YES	NO	YES
02-73	YES	NO	NO	NO	YES	YES	YES	100	430	180K	NO	330	NO	NO	NO	NO	NO	NO	YES	YES	NO	YES
02-74	YES	NO	NO	NO	NO	NO	YES	100	430	180K	NO	330	NO	NO	NO	NO	NO	NO	YES	YES	NO	NO
00-21	NO	NO	YES	NO	NO	NO	NO	220	10	4.3K	YES	330	NO	NO	NO	NO	NO	NO	YES	YES	NO	NO
10-12	NO	NO	NO	NO	NO	NO	NO	220	10	4.3K	NO	820	NO	YES	NO	NO	NO	NO	YES	NO	YES	NO
10-13	NO	NO	NO	NO	NO	NO	YES	100	430	180K	NO	820	NO	YES	NO	NO	NO	NO	YES	NO	YES	NO
10-14	NO	NO	YES	NO	NO	NO	YES	100	430	180K	NO	820	NO	YES	NO	NO	NO	NO	YES	NO	YES	NO
10-21	NO	NO	YES	NO	NO	NO	NO	220	10	4.3K	YES	820	NO	NO	NO	NO	NO	NO	YES	NO	YES	NO
10-22	NO	NO	YES	NO	NO	NO	NO	220	10	4.3K	YES	820	NO	NO	NO	NO	NO	NO	YES	NO	YES	NO
10-23	NO	NO	NO	NO	NO	NO	YES	100	430	180K	NO	820	NO	NO	NO	NO	NO	NO	YES	NO	YES	NO
10-24	NO	NO	NO	NO	NO	NO	YES	100	430	180K	NO	820	NO	NO	NO	NO	NO	NO	YES	NO	YES	NO
10-01	YES	YES	NO	NO	NO	NO	NO	220	10	4.3K	NO	820	YES	NO	YES	NO	YES	YES	NO	NO	NO	NO

KDC-105,126/126S

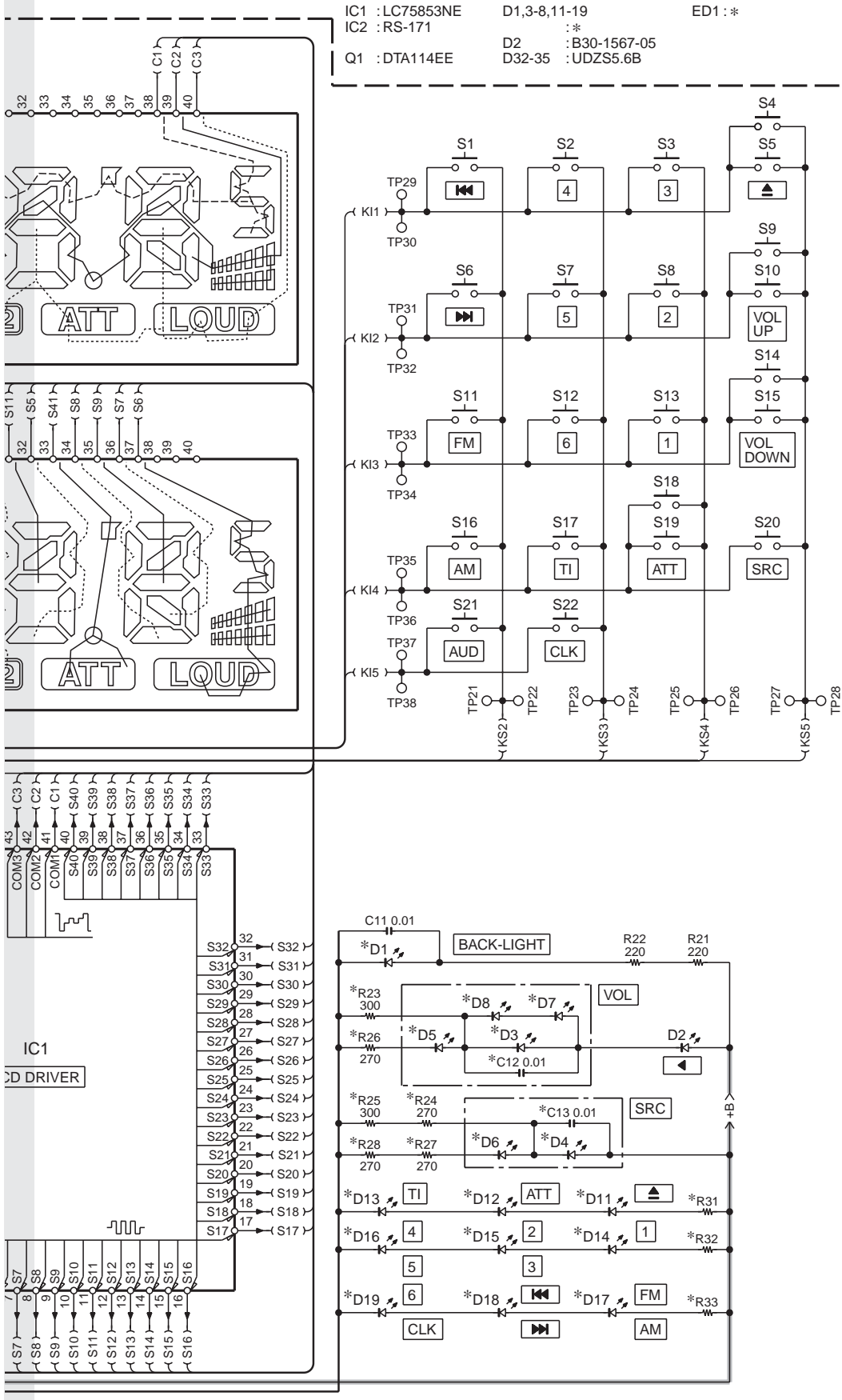
SWITCH UNIT (X16-247x-xx)



CAUTION : For continued safety, replace safety critical components only with manufacturer's recommended parts (refer to parts list).
 ⚠ Indicates safety critical components. To reduce the risk of electric shock, leakage-current or resistance measurements shall be carried out (exposed parts are acceptably insulated from the supply circuit) before the appliance is returned to the customer.

- DC voltages are as measured with a high impedance voltmeter. Values may vary slightly due to variations between individual instruments or/and units.

KDC-105,126/126S



IC1 : LC75853NE D1,3-8,11-19 ED1 : *
 IC2 : RS-171 : *
 D2 : B30-1567-05
 Q1 : DTA114EE D32-35 : UDZS5.6B

MODEL NAME	UNIT No.	C12, 13	D1	D3	D4	D5	D6	D7,8	D11-19	D32-35	ED1	R23	R24, 25	R26, 27	R31-33
KDC-2025V	0-11	YES	B30-1633-05	B30-1564-05	B30-1564-05	NO	NO	NO	B30-1567-05	YES	B38-1139-05	430	YES	NO	390
KDC-3026	0-21	YES	NO	B30-1567-05	B30-1567-05	NO	B30-1567-05	NO	B30-1567-05	YES	B38-1138-05	NO	NO	390	YES
KDC-2026	0-22	YES	YES	B30-1633-05	B30-1687-05	NO	B30-1687-05	NO	B30-1533-05	YES	B38-1140-05	NO	NO	360	YES
KDC-2027SA/SGY	2-71	NO	NO	B30-1633-05	NO	NO	B30-1567-05	B30-1567-05	B30-1567-05	YES	B38-1140-05	390	NO	NO	YES
KDC-2027SG/SGY	2-72	NO	NO	B30-1633-05	NO	NO	B30-1687-05	B30-1533-05	B30-1533-05	YES	B38-1140-05	390	NO	NO	YES
KDC-205	0-13	NO	YES	B30-1633-05	B30-1564-05	NO	NO	NO	B30-1567-05	YES	B38-1138-05	430	YES	NO	390
RX-292CD	0-01	YES	YES	B30-1633-05	B30-1690-05	NO	B30-1690-05	NO	B30-1690-05	NO	B38-1139-05	NO	NO	360	YES
KDC-105	0-10	NO	NO	B30-1633-05	B30-1567-05	NO	B30-1567-05	NO	B30-1567-05	NO	B38-1140-05	NO	NO	360	YES
KDC-126/S	0-23	NO	NO	B30-1633-05	B30-1687-05	NO	B30-1687-05	NO	B30-1533-05	YES	B38-1140-05	NO	NO	360	YES
KDC-226	0-23	NO	NO	B30-1633-05	B30-1687-05	NO	B30-1687-05	NO	B30-1533-05	YES	B38-1140-05	NO	NO	360	YES

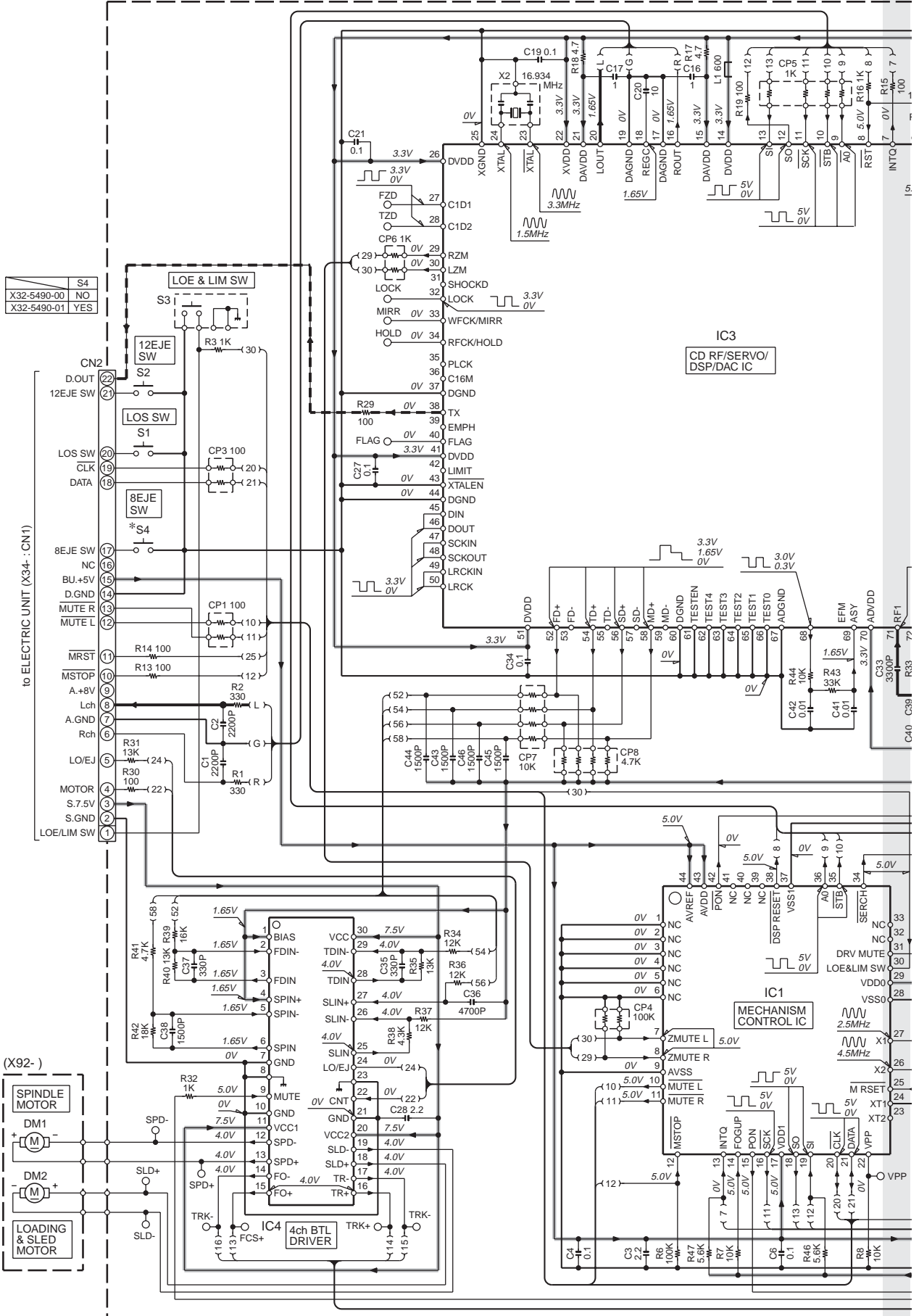
(X16-247x-xx)

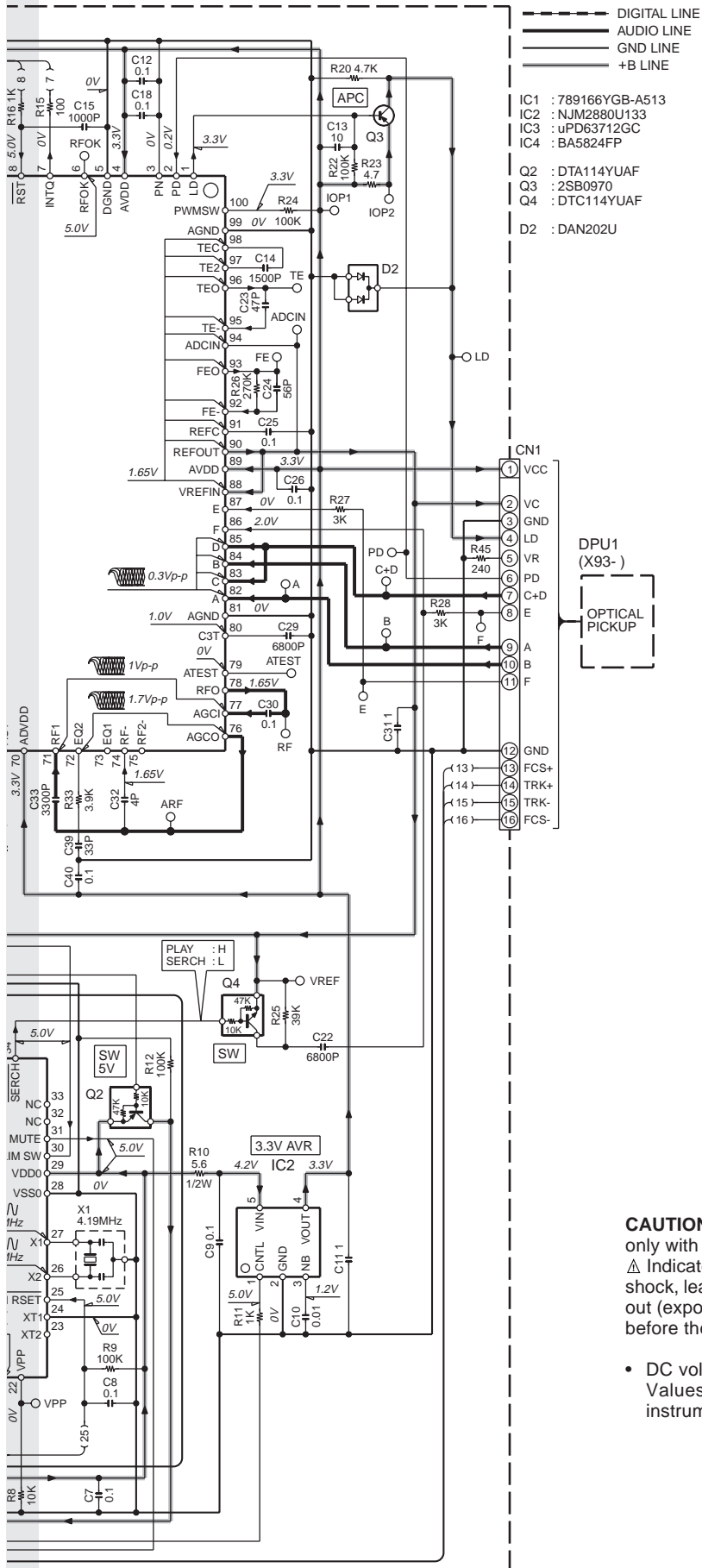


KDC-105 (2/2)

KDC-105,126/126S

CD PLAYER UNIT (X32-5490-00/01)





DTA114EE
DTC114YUA
DTC143TUA
2SA1036K

DAN202U

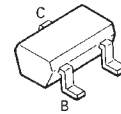


IC1 : 789166YGB-A513
IC2 : NJM2880U133
IC3 : uPD63712GC
IC4 : BA5824FP

Q2 : DTA114YUAF
Q3 : 2SB0970
Q4 : DTC114YUAF

D2 : DAN202U

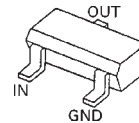
2SC4081



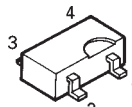
DA204U



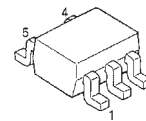
DTA124EUA



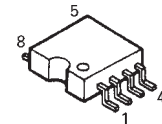
3SK126



UMC2N



BR24C01AF-W



DPU1
(X93-)

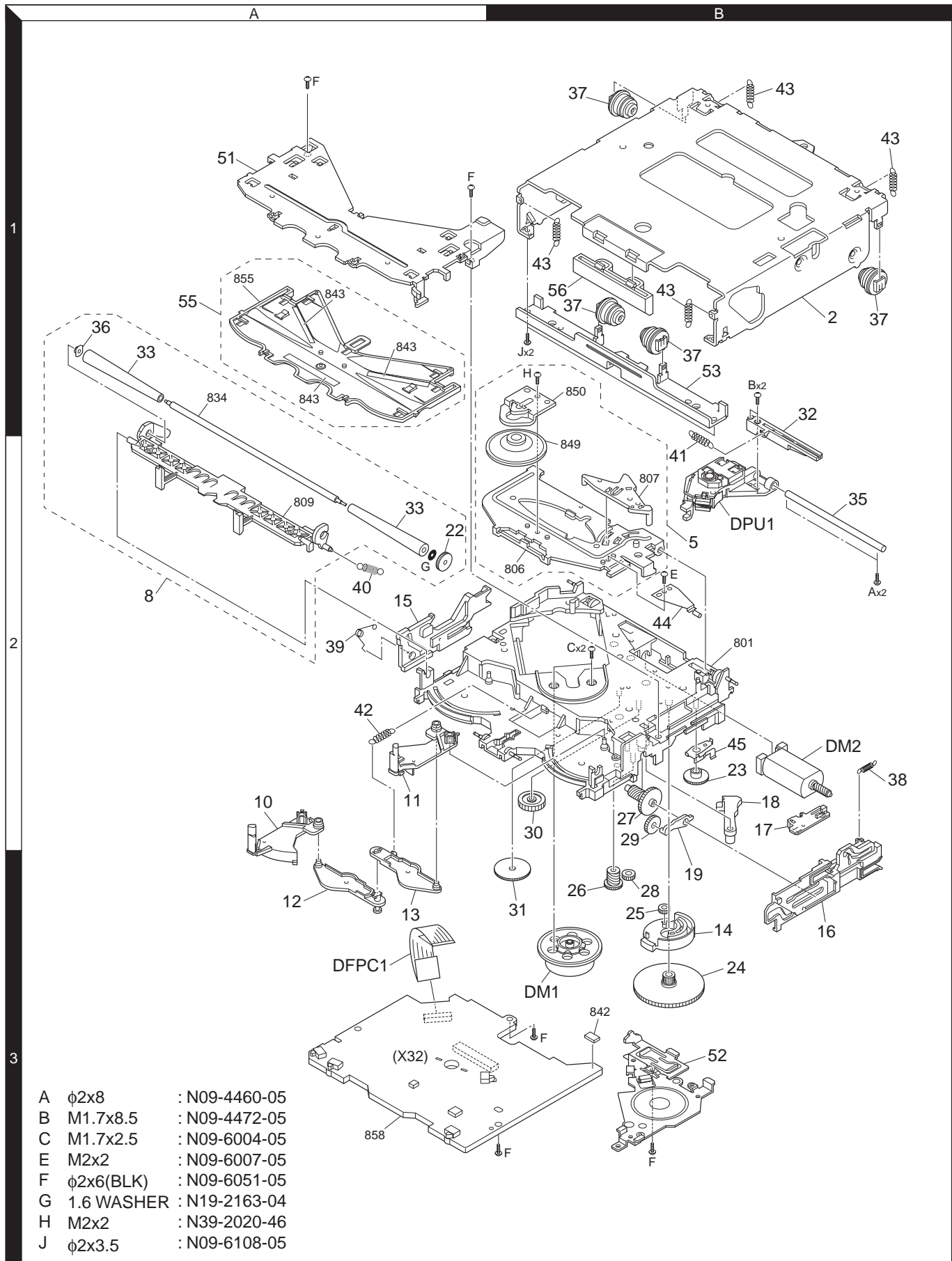


CAUTION : For continued safety, replace safety critical components only with manufacturer's recommended parts (refer to parts list).
⚠ Indicates safety critical components. To reduce the risk of electric shock, leakage-current or resistance measurements shall be carried out (exposed parts are acceptably insulated from the supply circuit) before the appliance is returned to the customer.

- DC voltages are as measured with a high impedance voltmeter. Values may vary slightly due to variations between individual instruments or/and units.

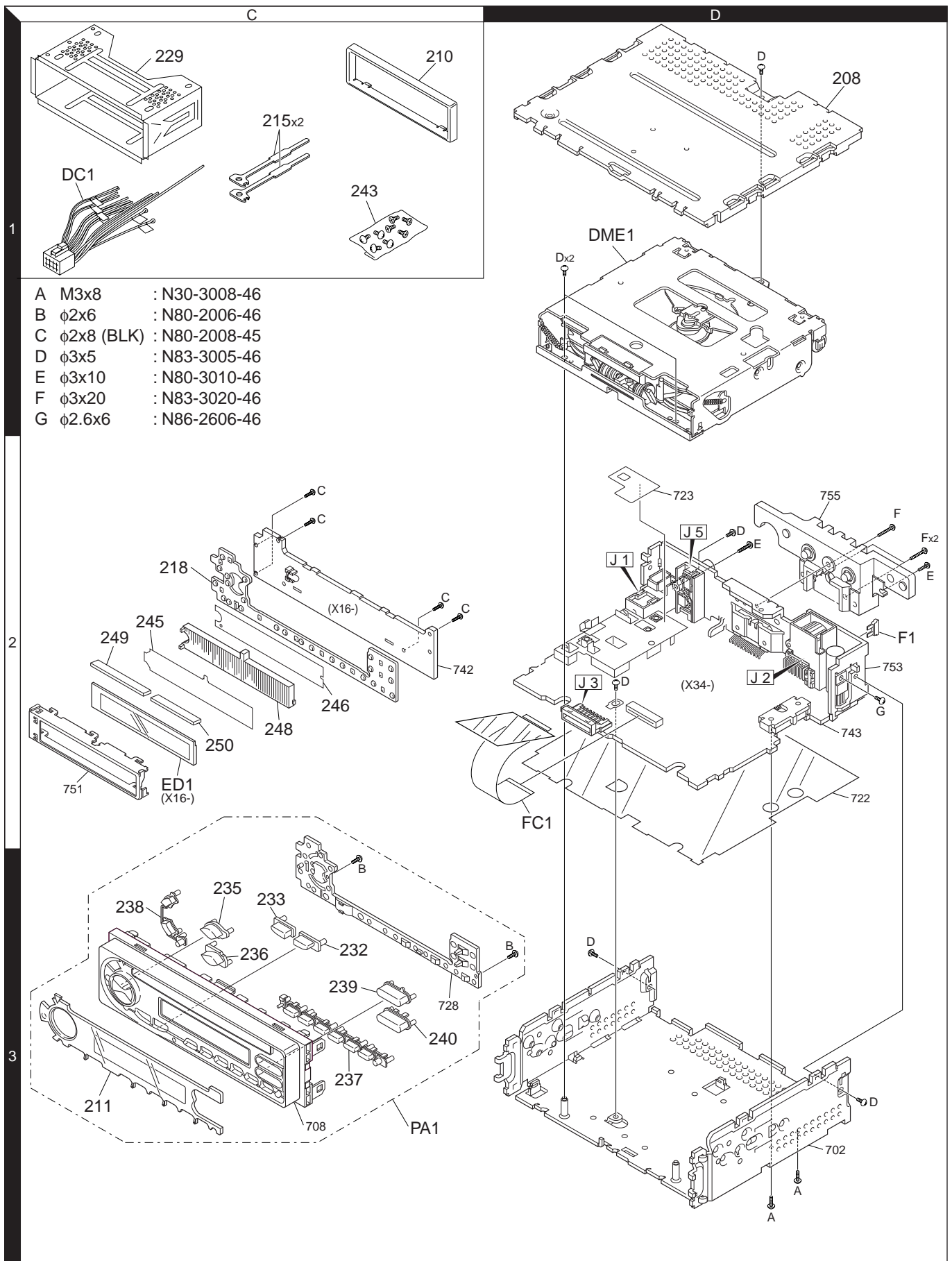
KDC-105,126/126S

EXPLODED VIEW (CD MECHANISM)



KDC-105,126/126S

EXPLODED VIEW (UNIT)



Parts with the exploded numbers larger than 700 are not supplied.

KDC-105,126/126S

PARTS LIST

* New parts

Parts without **Parts No.** are not supplied.

Les articles non mentionnés dans le **Parts No.** ne sont pas fournis.

Teile ohne **Parts No.** werden nicht geliefert.

Ref. No.	Ad	New	Parts No.	Description	Destination
KDC-105, KDC-126, KDC-126S					
208	1D		A52-0804-02	TOP PLATE	
PA1	3C	*	A64-3151-02	PANEL ASSY	K
PA1	3C	*	A64-3152-02	PANEL ASSY	M1
PA1	3C	*	A64-3154-02	PANEL ASSY	M2
-			B46-0100-50	WARRANTY CARD	
-			B58-1365-04	CAUTION CARD	
-		*	B64-2670-00	INST. MANUAL (ENG,FRE,SPA,POR)	K
-		*	B64-2671-00	INST. MANUAL (ENG,T-CHI)	M1M2
-		*	B64-2672-00	INST. MANUAL (ARABIC)	M1M2
210	1C		B07-3001-02	ESCUTCHEON	M1
210	1C	*	B07-3097-02	ESCUTCHEON	K
210	1C	*	B07-3098-02	ESCUTCHEON	M2
211	3C	*	B10-4445-01	FRONT GLASS	K
211	3C	*	B10-4446-01	FRONT GLASS	M1
211	3C	*	B10-4448-01	FRONT GLASS	M2
215			D10-4589-04	LEVER	
218		*	E29-1964-02	CONDUCTIVE RUBBER	
DC1	1C	*	E30-6322-05	DC CORD	
DC1	1C	*	E30-6323-05	DC CORD	
FC1	2D		E39-0476-05	FLAT CABLE (22PIN)	
F1	2D		F52-0006-05	FUSE (MINI BLADE TYPE 10A)	
F1	2D	*	F52-0023-05	FUSE (MINI BLADE TYPE 10A)	
-			H10-4856-12	POLYSTYRENE FOAMED FIXTURE	
-			H25-0329-04	PROTECTION BAG (280X450X0.03)	
-			H25-0337-04	PROTECTION BAG (180X300X0.03)	
-		*	H54-2989-03	ITEM CARTON CASE	K
-		*	H54-2990-03	ITEM CARTON CASE	M1
-		*	H54-2991-03	ITEM CARTON CASE	M2
229			J21-9716-03	MOUNTING HARDWARE ASSY	
232	3C	*	K24-4098-04	KNOB (SRC)	
233	3C	*	K24-4099-04	KNOB (Q-AUDIO)	
235	3C	*	K24-4096-04	KNOB (VOL.UP)	
236	3C	*	K24-4097-04	KNOB (VOL.DOWN)	
237	3C	*	K25-1589-03	KNOB (PRESET1-6)	
238	3C	*	K25-1590-03	KNOB (EJECT/ATT)	
239	3C	*	K25-1613-03	KNOB (FM/AM)	
240	3C	*	K25-1614-03	KNOB (SEEK)	
243	1C		N99-1719-05	SCREW SET	
A	3D		N30-3008-46	PAN HEAD MACHINE SCREW	
B	3C		N80-2006-46	PAN HEAD TAPTITE SCREW	
C	2C		N80-2008-45	PAN HEAD TAPTITE SCREW	
D	3D		N83-3005-46	PAN HEAD TAPTITE SCREW	
DME1		*	X92-4840-00	MECHANISM ASSY (DXM-6200W)	
SWITCH UNIT (X16-2470-xx)					
245	2C	*	B11-1435-04	OPTICAL DIFFUSER	
246	2C	*	B11-1437-04	REFLECTION SHEET	
248	2C	*	B19-2242-03	LIGHTING BOARD	
D1		*	B30-1633-05	LED (WHITE)	
D2		*	B30-1567-05	LED (1608,RED)	M1M2

Ref. No.	Ad	New	Parts No.	Description	Destination
D2-6			B30-1567-05	LED (1608,RED)	K
D3-6		*	B30-1687-05	LED (1608, GRN)	M1M2
D11-19			B30-1533-05	LED (1608,PG)	M1M2
D11-19			B30-1567-05	LED (1608,RED)	K
ED1	2C	*	B38-1140-05	LIQUID CRYSTAL	
C1			CK73GB1H102K	CHIP C 1000PF	K
C2			CK73GB1H103K	CHIP C 0.010UF	K
C3,4			CK73GB1E473K	CHIP C 0.047UF	K
C11			CK73GB1H103K	CHIP C 0.010UF	K
249	2C	*	E29-1965-04	CONDUCTIVE RUBBER	
250	2C	*	E29-1966-04	CONDUCTIVE RUBBER	
J1			E59-0828-05	RECTANGULAR PLUG (15PIN)	
R1			RK73GB2A563J	CHIP R 56K J 1/10W	
R2			RK73GB2A4R7J	CHIP R 4.7 J 1/10W	
R3			RK73GB2A472J	CHIP R 4.7K J 1/10W	
R6-8			RK73GB2A471J	CHIP R 470 J 1/10W	
R9			RK73GB2A102J	CHIP R 1.0K J 1/10W	
R21,22			RK73FB2B221J	CHIP R 220 J 1/8W	
R26			RK73FB2B361J	CHIP R 360 J 1/8W	M1M2
R26			RK73FB2B391J	CHIP R 390 J 1/8W	K
R27,28			RK73FB2B271J	CHIP R 270 J 1/8W	
R31-33			RK73FB2B331J	CHIP R 330 J 1/8W	M1M2
R31-33			RK73FB2B391J	CHIP R 390 J 1/8W	K
D32-35			RD5.6S	ZENER DIODE	M1M2
D32-35			UDZS5.6B	ZENER DIODE	M1M2
IC1			LC75853NE	MOS-IC	
Q1			DTA114EE	DIGITAL TRANSISTOR	
CD PLAYER UNIT (X32-5490-00)					
C1,2			CK73GB1H222K	CHIP C 2200PF	K
C3			CK73FB1A225K	CHIP C 2.2UF	K
C4			CK73GB1C104K	CHIP C 0.10UF	K
C6-9			CK73GB1C104K	CHIP C 0.10UF	K
C10			CK73GB1H103K	CHIP C 0.010UF	K
C11			CK73GB0J105K	CHIP C 1.0UF	K
C12			CK73GB1C104K	CHIP C 0.10UF	K
C13			CK73FB0J106M	CHIP C 10UF	M
C14			CK73GB1H152K	CHIP C 1500PF	K
C15			CK73GB1H102K	CHIP C 1000PF	K
C16,17			CK73GB0J105K	CHIP C 1.0UF	K
C18,19			CK73GB1C104K	CHIP C 0.10UF	K
C20			CK73FB0J106M	CHIP C 10UF	M
C21			CK73GB1C104K	CHIP C 0.10UF	K
C22			CK73GB1H682K	CHIP C 6800PF	K
C23			CC73GCH1H470J	CHIP C 47PF	J
C24			CC73GCH1H560J	CHIP C 56PF	J
C25-27			CK73GB1C104K	CHIP C 0.10UF	K
C28			CK73FB1A225K	CHIP C 2.2UF	K
C29			CK73GB1H682K	CHIP C 6800PF	K
C30			CK73GB1C104K	CHIP C 0.10UF	K
C31			CK73GB0J105K	CHIP C 1.0UF	K
C32			CC73GCH1H040C	CHIP C 4.0PF	C
C33			CK73GB1H332K	CHIP C 3300PF	K
C34			CK73GB1C104K	CHIP C 0.10UF	K

K : KDC-105

M1 : KDC-126

M2 : KDC-126S

△ Indicates safety critical components.

PARTS LIST

* New parts

Parts without **Parts No.** are not supplied.

Les articles non mentionnés dans le **Parts No.** ne sont pas fournis.

Teile ohne **Parts No.** werden nicht geliefert.

CD PLAYER UNIT (X32-5490-00)

Ref. No.	Add	New	Parts No.	Description	Destination
C35			CK73GB1H331K	CHIP C 330PF K	
C36			CK73GB1H472K	CHIP C 4700PF K	
C37			CK73GB1H331K	CHIP C 330PF K	
C38			CK73GB1H152K	CHIP C 1500PF K	
C39			CC73GCH1H330J	CHIP C 33PF J	
C40			CK73GB1C104K	CHIP C 0.10UF K	
C41,42			CK73GB1H103K	CHIP C 0.010UF K	
C43-46			CK73GB1H152K	CHIP C 1500PF K	
CN1		*	E41-2068-05	FLAT CABLE CONNECTOR (16PIN)	
CN1		*	E41-2085-05	FLAT CABLE CONNECTOR (22PIN)	
CN2		*	E41-2082-05	FLAT CABLE CONNECTOR (16PIN)	
L1			L92-0329-05	CHIP FERRITE	
X1			L78-0867-05	RESONATOR (4.19MHZ)	
X2			L78-0851-05	RESONATOR (16.934MHZ)	
CP1			RK74GA1J101J	CHIP-COM 100 J 1/16W	
CP3			RK74GA1J101J	CHIP-COM 100 J 1/16W	
CP4			RK74GA1J104J	CHIP-COM 100K J 1/16W	
CP5			RK74GB1J102J	CHIP-COM 1.0K J 1/16W	
CP6			RK74GA1J102J	CHIP-COM 1.0K J 1/16W	
CP7			RK74GB1J103J	CHIP-COM 10K J 1/16W	
CP8			RK74GB1J472J	CHIP-COM 4.7K J 1/16W	
R1,2			RK73FB2B331J	CHIP R 330 J 1/8W	
R3			RK73GB2A102J	CHIP R 1.0K J 1/10W	
R6			RK73GB2A104J	CHIP R 100K J 1/10W	
R7,8			RK73GB2A103J	CHIP R 10K J 1/10W	
R9			RK73GB2A104J	CHIP R 100K J 1/10W	
R10		*	R92-3494-05	CHIP R 5.6 J 1/2W	
R11			RK73GB2A102J	CHIP R 1.0K J 1/10W	
R12			RK73GB2A104J	CHIP R 100K J 1/10W	
R13-15			RK73GB2A101J	CHIP R 100 J 1/10W	
R16			RK73GB2A102J	CHIP R 1.0K J 1/10W	
R17,18			RK73GB2A4R7J	CHIP R 4.7 J 1/10W	
R19			RK73GB2A101J	CHIP R 100 J 1/10W	
R20			RK73GB2A472J	CHIP R 4.7K J 1/10W	
R22			RK73GB2A104J	CHIP R 100K J 1/10W	
R23			RK73FB2B4R7J	CHIP R 4.7 J 1/8W	
R24			RK73GB2A104J	CHIP R 100K J 1/10W	
R25			RK73GB2A393J	CHIP R 39K J 1/10W	
R26			RK73GB2A274J	CHIP R 270K J 1/10W	
R27,28			RK73GB2A302J	CHIP R 3.0K J 1/10W	
R29,30			RK73GB2A101J	CHIP R 100 J 1/10W	
R31			RK73GB2A133J	CHIP R 13K J 1/10W	
R32			RK73GB2A102J	CHIP R 1.0K J 1/10W	
R33			RK73GB2A392J	CHIP R 3.9K J 1/10W	
R34			RK73GB2A123J	CHIP R 12K J 1/10W	
R35			RK73GB2A133J	CHIP R 13K J 1/10W	
R36,37			RK73GB2A123J	CHIP R 12K J 1/10W	
R38			RK73GB2A432J	CHIP R 4.3K J 1/10W	
R39			RK73GB2A163J	CHIP R 16K J 1/10W	
R40			RK73GB2A133J	CHIP R 13K J 1/10W	
R41			RK73GB2A472J	CHIP R 4.7K J 1/10W	
R42			RK73GB2A183J	CHIP R 18K J 1/10W	
R43			RK73GB2A333J	CHIP R 33K J 1/10W	
R44			RK73GB2A103J	CHIP R 10K J 1/10W	

Ref. No.	Add	New	Parts No.	Description	Destination
R45			RK73GB2A241J	CHIP R 240 J 1/10W	
R46,47			RK73GB2A562J	CHIP R 5.6K J 1/10W	
S1,2			S68-0863-05	PUSH SWITCH	
S3			S68-0862-05	PUSH SWITCH	
D2		*	DAN202UF	DIODE	
IC1		*	789166YGB-A513	MICROCONTROLLER IC	
IC2		*	NJM2880U133	ANALOGUE IC	
IC3		*	UPD63712GC	MOS-IC	
IC4		*	BA5824FP-F	ANALOGUE IC	
Q2		*	DTA114YUAF	DIGITAL TRANSISTOR	
Q3			2SB0970	TRANSISTOR	
Q4		*	DTC114YUAF	DIGITAL TRANSISTOR	
ELECTRIC UNIT (X34-3110-xx)					
C1			C94-0216-05	ELECTRO 3300UF 16WV	
C21			CK73GB1H103K	CHIP C 0.010UF K	
C40			CK73GB1H103K	CHIP C 0.010UF K	
C50		*	CD04AS1E100M	ELECTRO 10UF 25WV	K
C50,51		*	CD04AS1E100M	ELECTRO 10UF 25WV	M1M2
C52-54		*	CD04AS1C100M	ELECTRO 10UF 16WV	
C55		*	CD04AS1E100M	ELECTRO 10UF 25WV	
C56			CD04AT1H100M	ELECTRO 10UF 50WV	
C57			C90-2980-05	ELECTRO 220UF 16WV	
C58			C90-2962-05	ELECTRO 100UF 16WV	
C63		*	CD04AS1C220M	ELECTRO 22UF 16WV	
C101		*	CD04AS0J101M	ELECTRO 100UF 6.3WV	
C102			CK73GB1H103K	CHIP C 0.010UF K	
C103			CK73GB1C104K	CHIP C 0.10UF K	
C104,105			CC73GCH1H150J	CHIP C 15PF J	
C106			CK73GB1H152K	CHIP C 1500PF K	
C142			CK73GB1C104K	CHIP C 0.10UF K	
C204,205		*	CD04AS1H2R2M	ELECTRO 2.2UF 50WV	
C223,224		*	CD04AS1C100M	ELECTRO 10UF 16WV	
C251-254			C94-0179-05	ELECTRO 0.22UF 50WV	
C255		*	CD04AS1H010M	ELECTRO 1UF 50WV	
C256		*	CD04AS1A101M	ELECTRO 100UF 10WV	
C257		*	CD04AS1H010M	ELECTRO 1UF 50WV	
C258			C90-5663-05	ELECTRO 1UF 50WV	
C502			CK73GB1H152K	CHIP C 1500PF K	
C503			CK73GB1C104K	CHIP C 0.10UF K	
C504			CK73GB1H103K	CHIP C 0.010UF K	
C505			CD04AT1C4R7M	ELECTRO 4.7UF 16WV	
C506			CK73GB1C104K	CHIP C 0.10UF K	
C507			CD04AT1A330M	ELECTRO 33UF 10WV	
C508			CD04AT1A220M	ELECTRO 22UF 10WV	
C509			CC73GCH1H680J	CHIP C 68PF J	
C510			CC73GCH1H101J	CHIP C 100PF J	
C511			CK73GB1H103K	CHIP C 0.010UF K	
C512		*	CD04AT1C4R7M	ELECTRO 4.7UF 16WV	
C513,514			CK73GB1H103K	CHIP C 0.010UF K	
C515			CK73FB1C105K	CHIP C 1.0UF K	
C516			CC73GCH1H100D	CHIP C 10PF D	
C521			CK73GB1C104K	CHIP C 0.10UF K	
C522			CC73GCH1H330J	CHIP C 33PF J	

K : KDC-105

M1 : KDC-126

M2 : KDC-126S

△ Indicates safety critical components.

KDC-105,126/126S

PARTS LIST

* New parts

Parts without **Parts No.** are not supplied.

Les articles non mentionnés dans le **Parts No.** ne sont pas fournis.

Teile ohne **Parts No.** werden nicht geliefert.

ELECTRIC UNIT (X34-3110-xx)

Ref. No.	A d	N e w	Parts No.	Description	Desti- nation
C523			CC73GCH1H270J	CHIP C 27PF J	
C524			CC73GCH1H101J	CHIP C 100PF J	
C525			CK73GB1H103K	CHIP C 0.010UF K	
C526			CC73GCH1H050C	CHIP C 5.0PF C	
C528			CC73GCH1H060D	CHIP C 6.0PF D	
C530			CC73GCH1H040C	CHIP C 4.0PF C	
C531			CK73FB1C105K	CHIP C 1.0UF K	
C533,534			CK73GB1H103K	CHIP C 0.010UF K	
C535			CC73GCH1H020C	CHIP C 2.0PF C	
C536			CC73GCH1H040C	CHIP C 4.0PF C	
C537,538			CC73GCH1H080D	CHIP C 8.0PF D	
C541			CC73GCH1H040C	CHIP C 4.0PF C	
C542			CC73GCH1H220J	CHIP C 22PF J	
C543			CC73GCH1H680J	CHIP C 68PF J	
C544			CC73GCH1H150J	CHIP C 15PF J	
C545			CK73GB1H682K	CHIP C 6800PF K	
C546			CK73GB1H103K	CHIP C 0.010UF K	
C547			CD04AT1A100M	ELECTRO 10UF 10WV	
C548			CK73GB1E223K	CHIP C 0.022UF K	
C549			CK73GB1H222K	CHIP C 2200PF K	
C550			CK73GB1E333K	CHIP C 0.033UF K	
C551,552			CK73GB1H103K	CHIP C 0.010UF K	
C553,554			CK73GB1C104K	CHIP C 0.10UF K	
C555,556			CK73GB1H102K	CHIP C 1000PF K	
C560			CC73GCH1H101J	CHIP C 100PF J	
C561			CD04AT1H010M	ELECTRO 1UF 50WV	
C562			CD04AT1A100M	ELECTRO 10UF 10WV	
C563			CD04AT1HR47M	ELECTRO 0.47UF 50WV	
C564			CK73GB1A474K	CHIP C 0.47UF K	
C565		*	CD04AS1A470M	ELECTRO 47UF 10WV	
C568			CC73GCH1H821J	CHIP C 820PF J	
C580			CK73GB1H103K	CHIP C 0.010UF K	
C581			CC73GCH1H020C	CHIP C 2.0PF C	
C582,583			CK73GB1C104K	CHIP C 0.10UF K	
C584		*	CD04AT1C4R7M	ELECTRO 4.7UF 16WV	
C585			CK73GB1H103K	CHIP C 0.010UF K	
C586			CK73GB1C104K	CHIP C 0.10UF K	
C587			CK73GB1H103K	CHIP C 0.010UF K	
C588			CK73GB1A474K	CHIP C 0.47UF K	
C589			CK73GB1C104K	CHIP C 0.10UF K	
C591			CD04AT1A330M	ELECTRO 33UF 10WV	
C593			CK73FB1C105K	CHIP C 1.0UF K	
C600			CD04AT1A101M	ELECTRO 100UF 10WV	
CN1			E40-9550-05	FLAT CABLE CONNECTOR (22PIN)	
J1			E04-0312-05	RF COAXIAL CABLE RECEPTACLE	
J2			E58-0863-15	RECTANGULAR RECEPTACLE	
J3			E58-0880-05	RECTANGULAR RECEPTACLE	
J5			E63-0852-05	PIN JACK	
P1			E23-0745-05	TERMINAL	
CF51-53			L72-0781-05	CERAMIC FILTER	
CF54			L72-0743-05	CERAMIC FILTER	
L1			L33-1170-05	CHOKE COIL ASSY	
L2			L33-1807-05	CHOKE COIL	
L4			L33-1123-05	LINE FILTER COIL	

Ref. No.	A d	N e w	Parts No.	Description	Desti- nation
L101			L40-4795-91	SMALL FIXED INDUCTOR (4.7UH,J)	
L501			L40-6891-58	SMALL FIXED INDUCTOR	
L502			L40-3301-58	SMALL FIXED INDUCTOR (33U)	
L503			L40-1021-56	SMALL FIXED INDUCTOR (1MH)	
L504			L40-1011-58	SMALL FIXED INDUCTOR	
L505			L31-0967-05	FM-RF COIL	
L506			L31-0970-05	FM-RF COIL	
L507			L32-0936-05	FM OSCILLATING COIL	
L508			L30-0770-05	FM IFT	
L509			L30-0773-05	AM IFT	
L510			L40-4795-91	SMALL FIXED INDUCTOR (4.7UH,J)	
L512-514			L40-4795-91	SMALL FIXED INDUCTOR (4.7UH,J)	
L516,517			L40-4795-91	SMALL FIXED INDUCTOR (4.7UH,J)	
X1			L77-1167-05	CRYSTAL RESONATOR (4.19M)	
X501			L77-2077-05	CRYSTAL RESONATOR (10.25MHz)	
D		2D	N83-3005-46	PAN HEAD TAPTITE SCREW	
E		2D	N80-3010-46	PAN HEAD TAPTITE SCREW	
F		2D	N83-3020-46	PAN HEAD TAPTITE SCREW	
G		2D	N86-2606-46	BINDING HEAD TAPTITE SCREW	
CP1			R90-1049-05	MULTI-COMP 10K X2	
CP2			R90-1047-05	MULTI-COMP 2.2K X2	
CP3			R90-1046-05	MULTI-COMP 1K X2	
R10			RK73FB2B303J	CHIP R 30K J 1/8W	
R11			RK73GB2A103J	CHIP R 10K J 1/10W	
R12			RK73GB2A104J	CHIP R 100K J 1/10W	
R20			RD14DB2H332J	SMALL-RD 3.3K J 1/2W	
R21			RD14BB2C333J	RD 33K J 1/6W	
R22			RK73GB2A103J	CHIP R 10K J 1/10W	
R23			RK73GB2A104J	CHIP R 100K J 1/10W	
R25			RD14BB2C472J	RD 4.7K J 1/6W	M1M2
R28			RD14BB2C472J	RD 4.7K J 1/6W	
R50			RD14BB2C562J	RD 5.6K J 1/6W	
R51			RK73GB2A473J	CHIP R 47K J 1/10W	
R57			RK73FB2B152J	CHIP R 1.5K J 1/8W	
R58			RD14BB2C471J	RD 470 J 1/6W	
R67-69			RK73GB2A103J	CHIP R 10K J 1/10W	M1M2
R68,69			RK73GB2A103J	CHIP R 10K J 1/10W	K
R71			RK73GB2A823J	CHIP R 82K J 1/10W	
R72			RK73GB2A363J	CHIP R 36K J 1/10W	
R73			RK73GB2A104J	CHIP R 100K J 1/10W	
R103,104			RK73GB2A102J	CHIP R 1.0K J 1/10W	
R105			RK73GB2A471J	CHIP R 470 J 1/10W	
R106			RK73GB2A104J	CHIP R 100K J 1/10W	
R107,108			RK73GB2A222J	CHIP R 2.2K J 1/10W	
R110			RK73GB2A472J	CHIP R 4.7K J 1/10W	
R113,114			RK73GB2A473J	CHIP R 47K J 1/10W	
R115			RK73GB2A102J	CHIP R 1.0K J 1/10W	
R116			RK73GB2A103J	CHIP R 10K J 1/10W	
R117			RK73GB2A102J	CHIP R 1.0K J 1/10W	
R118			RK73GB2A103J	CHIP R 10K J 1/10W	
R119			RK73GB2A473J	CHIP R 47K J 1/10W	
R121			RK73GB2A222J	CHIP R 2.2K J 1/10W	
R122			RK73GB2A101J	CHIP R 100 J 1/10W	
R123			RK73GB2A102J	CHIP R 1.0K J 1/10W	

K : KDC-105

M1 : KDC-126

M2 : KDC-126S

△ Indicates safety critical components.

PARTS LIST

* New parts

Parts without **Parts No.** are not supplied.

Les articles non mentionnés dans le **Parts No.** ne sont pas fournis.

Teile ohne **Parts No.** werden nicht geliefert.

ELECTRIC UNIT (X34-3110-xx)

Ref. No.	Add	New	Parts No.	Description	Destination	Ref. No.	Add	New	Parts No.	Description	Destination
R125			RK73GB2A102J	CHIP R 1.0K J 1/10W		R547			RK73GB2A220J	CHIP R 22 J 1/10W	
R126			RK73GB2A104J	CHIP R 100K J 1/10W		R561			RK73GB2A272J	CHIP R 2.7K J 1/10W	
R127			RK73GB2A222J	CHIP R 2.2K J 1/10W		R563,564			RK73GB2A103J	CHIP R 10K J 1/10W	
R128			RK73GB2A225J	CHIP R 2.2M J 1/10W		R565			RK73GB2A104J	CHIP R 100K J 1/10W	
R129,130			RK73GB2A222J	CHIP R 2.2K J 1/10W		R566,567			RK73GB2A102J	CHIP R 1.0K J 1/10W	
R131			RK73GB2A682J	CHIP R 6.8K J 1/10W		R581			RK73GB2A102J	CHIP R 1.0K J 1/10W	
R132			RK73GB2A222J	CHIP R 2.2K J 1/10W		R585			RD14BB2C1R0J	RD 1.0 J 1/6W	
R133			RK73GB2A123J	CHIP R 12K J 1/10W		W156,157			R92-2053-05	CHIP R 0 J 1/8W	
R135			RK73GB2A473J	CHIP R 47K J 1/10W		W158			R92-1252-05	CHIP R 0 OHM J 1/16W	
R137			RK73GB2A473J	CHIP R 47K J 1/10W	M1M2	W160			R92-2052-05	CHIP R 0 OHM J 1/10W	K
R138,139			RK73GB2A473J	CHIP R 47K J 1/10W	K	W161,162			R92-2053-05	CHIP R 0 J 1/8W	
R139			RK73GB2A473J	CHIP R 47K J 1/10W	M1M2	W165			R92-2053-05	CHIP R 0 J 1/8W	
R141			RD14BB2C472J	RD 4.7K J 1/6W		W415			R92-2053-05	CHIP R 0 J 1/8W	
R143			RD14BB2C472J	RD 4.7K J 1/6W		W500,501			R92-1252-05	CHIP R 0 OHM J 1/16W	
R144			RK73GB2A104J	CHIP R 100K J 1/10W		W504,505			R92-1252-05	CHIP R 0 OHM J 1/16W	
R145			RD14BB2C222J	RD 2.2K J 1/6W		W506			R92-2053-05	CHIP R 0 J 1/8W	
R163			RD14BB2C100J	RD 10 J 1/6W		W507			R92-1252-05	CHIP R 0 OHM J 1/16W	
R164,165			RD14BB2C471J	RD 470 J 1/6W		W508			R92-2053-05	CHIP R 0 J 1/8W	
R166			RD14BB2C102J	RD 1.0K J 1/6W		W509			R92-1252-05	CHIP R 0 OHM J 1/16W	
R167			RD14BB2C101J	RD 100 J 1/6W		W510			R92-2053-05	CHIP R 0 J 1/8W	
R169			RD14BB2C102J	RD 1.0K J 1/6W		W511			R92-1252-05	CHIP R 0 OHM J 1/16W	
R172			RD14BB2C102J	RD 1.0K J 1/6W		W516			R92-1252-05	CHIP R 0 OHM J 1/16W	K
R174			RK73GB2A473J	CHIP R 47K J 1/10W		W517			R92-2053-05	CHIP R 0 J 1/8W	
R201			RK73GB2A473J	CHIP R 47K J 1/10W		W519			R92-2053-05	CHIP R 0 J 1/8W	
R223,224			RK73FB2B271J	CHIP R 270 J 1/8W		W521			R92-1252-05	CHIP R 0 OHM J 1/16W	
R227,228			RD14BB2C303J	RD 30K J 1/6W		W523,524			R92-1252-05	CHIP R 0 OHM J 1/16W	
R231,232			RD14BB2C101J	RD 100 J 1/6W		W530			R92-2053-05	CHIP R 0 J 1/8W	
R251			RK73GB2A472J	CHIP R 4.7K J 1/10W		W531,532			R92-1252-05	CHIP R 0 OHM J 1/16W	
R252,253			RD14BB2C472J	RD 4.7K J 1/6W		W533			R92-2053-05	CHIP R 0 J 1/8W	
R254			RK73GB2A472J	CHIP R 4.7K J 1/10W		W534			R92-1252-05	CHIP R 0 OHM J 1/16W	
R255			RK73GB2A333J	CHIP R 33K J 1/10W		W601			R92-1252-05	CHIP R 0 OHM J 1/16W	
R256			RK73FB2B102J	CHIP R 1.0K J 1/8W		D1			1N5393G-M6	DIODE	
R257			RK73GB2A622J	CHIP R 6.2K J 1/10W		D3			IMSA-6801	SURGE ABSORBER	
R258			RK73GB2A101J	CHIP R 100 J 1/10W		D10			MA4068(N)-M	ZENER DIODE	
R259			RD14BB2C223J	RD 22K J 1/6W		D11			D1F60	DIODE	M1M2
R260			RK73GB2A751J	CHIP R 750 J 1/10W		D12			AM01ZNF	DIODE	M1M2
R261			RK73GB2A431J	CHIP R 430 J 1/10W		D13			D1F60	DIODE	
R263			RK73GB2A184J	CHIP R 180K J 1/10W		D14			AM01ZNF	DIODE	
R264			RK73GB2A473J	CHIP R 47K J 1/10W		D20			MA4068(N)-M	ZENER DIODE	
R415			RK73GB2A104J	CHIP R 100K J 1/10W		D40			1SS133	DIODE	
R501			RK73GB2A682J	CHIP R 6.8K J 1/10W		D50			DAN202U	DIODE	
R502			RK73GB2A222J	CHIP R 2.2K J 1/10W		D51			MA4082(N)-L	ZENER DIODE	
R503			RK73EB2E222J	CHIP R 2.2K J 1/4W		D70			MA4068(N)-M	ZENER DIODE	
R505			RK73GB2A102J	CHIP R 1.0K J 1/10W		D101			1SS133	DIODE	
R506			RK73GB2A105J	CHIP R 1.0M J 1/10W		D103			DA204U	DIODE	
R507			RK73GB2A102J	CHIP R 1.0K J 1/10W		D201,202			MA4068(N)-M	ZENER DIODE	
R521-524			RK73GB2A104J	CHIP R 100K J 1/10W		D251-253			1SS133	DIODE	
R525			RK73GB2A821J	CHIP R 820 J 1/10W		D501			RN739F	DIODE	
R526			RK73GB2A562J	CHIP R 5.6K J 1/10W		D503			RN739F	DIODE	
R527			RK73GB2A104J	CHIP R 100K J 1/10W		D504-506			KV1720S	VARIABLE CAPACITANCE DIODE	
R528			RD14BB2C104J	RD 100K J 1/6W		IC1	*		UPD780058GC556	MICROCONTROLLER IC	
R543			RK73GB2A562J	CHIP R 5.6K J 1/10W		IC4			TDA7386	ANALOGUE IC	
R544			RK73GB2A222J	CHIP R 2.2K J 1/10W		IC7			BA4911-V4	ANALOGUE IC	
R545			RK73GB2A432J	CHIP R 4.3K J 1/10W		IC8			HD74HC27FP-E	MOS-IC	
R546			RK73GB2A333J	CHIP R 33K J 1/10W							

K : KDC-105

M1 : KDC-126

M2 : KDC-126S

△ Indicates safety critical components.

KDC-105,126/126S

PARTS LIST

* New parts

Parts without **Parts No.** are not supplied.

Les articles non mentionnés dans le **Parts No.** ne sont pas fournis.

Teile ohne **Parts No.** werden nicht geliefert.

ELECTRIC UNIT (X34-3110-xx)

Ref. No.	A d d	N e w	Parts No.	Description	Desti- nation
IC10		*	TDA7513T	ANALOGUE IC	
IC11			PST3435UL	MOS-IC	
IC12			BR24C01AF-W	ROM IC	
IC12			M24C01-WMN6T	ROM IC	
IC12			S-24CS02AFJ-TB	MEMORY IC	
Q10			2SC4081	TRANSISTOR	
Q20			2SC4081	TRANSISTOR	
Q40			DTA124EUA	DIGITAL TRANSISTOR	
Q50			2SA1036K	TRANSISTOR	
Q51			UMC2N	TRANSISTOR	
Q53			UMC2N	TRANSISTOR	M1M2
Q55			2SD2375	TRANSISTOR	
Q70			2SC4081	TRANSISTOR	
Q223,224			DTC143TUA	DIGITAL TRANSISTOR	
Q251			DTC114YUA	DIGITAL TRANSISTOR	
Q501			CPH5905	TRANSISTOR	
Q502			3SK126	DUAL FET	
TH1		*	PRF21BE471QB2	POSITIVE RESISTOR	
MECHANISM ASSY (X92-4840-00)					
2	1B		A10-4827-22	CHASSIS	
5	1B	*	D10-4576-63	ARM ASS'Y	
8	2A		D10-4579-13	LEVER ASS'Y	
10	3A		D10-4581-13	ARM	
11	2A		D10-4582-13	ARM	
12	3A		D10-4583-03	ARM	
13	3A		D10-4584-03	ARM	
14	3B		D10-4585-03	ARM	
15	2A		D10-4586-13	SLIDER	
16	3B		D10-4587-32	SLIDER	
17	3B		D10-4588-13	SLIDER	
18	3B		D10-4595-04	ARM	
19	3B		D10-4596-14	ARM	
22	2A		D13-2151-04	GEAR	
23	2B		D13-2152-04	GEAR	
24	3B		D13-2153-04	GEAR	
25	3B		D13-2154-04	GEAR	
26	3B		D13-2155-04	WORM	
27	3B		D13-2156-14	GEAR	
28	3B		D13-2157-04	GEAR	
29	3B		D13-2158-04	GEAR	
30	3B		D13-2168-04	GEAR	
31	3B		D13-2171-04	GEAR	
32	2B		D13-2172-03	RACK (GEAR)	
33	2A		D14-0759-04	ROLLER	
35	2B		D21-2382-04	SHAFT	
36	1A		D23-0954-04	RETAINER	
37	1B		D39-0246-05	DAMPER	
38	2B		G01-3072-04	EXTENSION SPRING	
39	2A		G01-3073-04	TORSION COIL SPRING	
40	2A		G01-3074-04	EXTENSION SPRING	
41	1B		G01-3075-14	EXTENSION SPRING	
42	2A		G01-3076-04	EXTENSION SPRING	
43	1B		G01-3077-14	EXTENSION SPRING	

Ref. No.	A d d	N e w	Parts No.	Description	Desti- nation
44	2B		G02-1399-04	FLAT SPRING	
45	2B		G02-1408-04	FLAT SPRING	
51	1A		J21-9676-22	MOUNTING HARDWARE	
52	3B		J21-9677-12	MOUNTING HARDWARE	
53	1B		J21-9678-13	MOUNTING HARDWARE	
55	1A		J90-1001-11	GUIDE	
56	1B		J90-1023-03	GUIDE	
DFPC1	3A		J84-0141-05	FLAT CABLE (16PIN)	
A	2B		N09-4460-05	TAPTITE SCREW	
B	1B		N09-4472-15	MACHINE SCREW	
C	2B		N09-6004-05	MACHINE SCREW	
E	2B		N09-6007-05	MACHINE SCREW	
F	1A		N09-6051-05	TAPTITE SCREW	
G	2A		N19-2163-04	FLAT WASHER	
H	1B		N39-2020-46	PAN HEAD MACHIN SCREW	
J	1B		N09-6108-05	MACHINE SCREW	
DM1	3B		T42-1066-04	DC MOTOR ASSY (SPINDLE)	
DM2	3B		T42-1067-04	DC MOTOR ASSY (LOADING)	
DPU1	2B		X93-2010-00	OPTICAL PICKUP ASS'Y	

K : KDC-105

M1 : KDC-126

M2 : KDC-126S

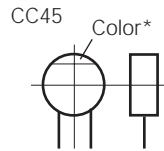
△ Indicates safety critical components.

PARTS LIST

CAPACITORS

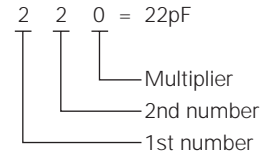
CC 45 TH 1H 220 J
 1 2 3 4 5 6

- 1 = Type ... ceramic, electrolytic, etc.
- 2 = Shape ... round, square, etc.
- 3 = Temp. coefficient
- 4 = Voltage rating
- 5 = Value
- 6 = Tolerance



• Capacitor value

- 010 = 1pF
- 100 = 10pF
- 101 = 100pF
- 102 = 1000pF = 0.001μF
- 103 = 0.01μF



• Temperature coefficient

1st Word	C	L	P	R	S	T	U
Color*	Black	Red	Orange	Yellow	Green	Blue	Violet
ppm/°C	0	-80	-150	-220	-330	-470	-750

2nd Word	G	H	J	K	L
ppm/°C	±30	±60	±120	±250	±500

Example : CC45TH = -470±60ppm/°C

• Tolerance (More than 10pF)

Code	C	D	G	J	K	M	X	Z	P	No code
(%)	±0.25	±0.5	±2	±5	±10	±20	+40 -20	+80 -20	+100 -0	More than 10μF : -10~+50 Less than 4.7μF : -10~+75

(Less than 10pF)

Code	B	C	D	F	G
(pF)	±0.1	±0.25	±0.5	±1	±2

• Voltage rating

2nd word \ 1st word	A	B	C	D	E	F	G	H	J	K	V
0	1.0	1.25	1.6	2.0	2.5	3.15	4.0	5.0	6.3	8.0	-
1	10	12.5	16	20	25	31.5	40	50	63	80	35
2	100	125	160	200	250	315	400	500	630	800	-
3	1000	1250	1600	2000	2500	2150	4000	5000	6300	8000	-

CHIP CAPACITORS

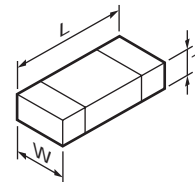
(EX) CC 73 F SL 1H 000 J
 1 2 3 4 5 6 7
 (Chip) (CH, RH, UJ, SL)

(EX) CK 73 F F 1H 000 Z
 1 2 3 4 5 6 7
 (Chip) (B, F)

Refer to the table above.

- 1 = Type
- 2 = Shape
- 3 = Dimension
- 4 = Temp. coefficient
- 5 = Voltage rating
- 6 = Value
- 7 = Tolerance

• Dimension



Chip capacitor

Code	L	W	T
Empty	5.6±0.5	5.0±0.5	Less than 2.0
A	4.5±0.5	3.2±0.4	Less than 2.0
B	4.5±0.5	2.0±0.3	Less than 2.0
C	4.5±0.5	1.25±0.2	Less than 1.25
D	3.2±0.4	2.5±0.3	Less than 1.5
E	3.2±0.2	1.6±0.2	Less than 1.25
F	2.0±0.3	1.25±0.2	Less than 1.25
G	1.6±0.2	0.8±0.2	Less than 1.0
H	1.0±0.05	0.5±0.05	0.5±0.05

Chip resistor

Code	L	W	T
E	3.2±0.2	1.6±0.2	1.0
F	2.0±0.3	1.25±0.2	1.0
G	1.6±0.2	0.8±0.2	0.5±0.1
H	1.0±0.05	0.5±0.05	0.35±0.05

RESISTORS

• Chip resistor (Carbon)

(EX) RD 73 E B 2B 000 J
 1 2 3 4 5 6 7
 (Chip) (B, F)

• Carbon resistor (Normal type)

(EX) RD 14 B B 2C 000 J
 1 2 3 4 5 6 7
 (Chip) (B, F)

- 1 = Type ... ceramic, electrolytic, etc.
- 2 = Shape ... round, square, etc.
- 3 = Dimension
- 4 = Temp. coefficient
- 5 = Voltage rating
- 6 = Value
- 7 = Tolerance

• Rating wattage

Code	Wattage	Code	Wattage	Code	Wattage
1J	1/16W	2C	1/6W	3A	1W
2A	1/10W	2E	1/4W	3D	2W
2B	1/8W	2H	1/2W		

KDC-105,126/126S

SPECIFICATIONS

ITEM		KDC-105	KDC-126/S
FM	Frequency Range (Frequency step)	87.9MHz~107.9MHz (200kHz)	87.5MHz~108.0MHz (50kHz) 87.9MHz~107.9MHz (200kHz)
	Channel Space Selection	50k/200kHz	50k/200kHz
	Usable Sensitivity (S/N 30dB)	9.3dBf (0.8μV/75Ω)	9.3dBf (0.8μV/75Ω)
	Quieting Sensitivity (S/N 50dB)	15.2dBf (1.6μV/75Ω)	15.2dBf (1.6μV/75Ω)
	Frequency Response (±3.0dB)	30Hz~15kHz	30Hz~15kHz
	S/N	70dB (MONO)	70dB (MONO)
	Selectivity (DIN)	≥80dB (±400kHz)	≥80dB (±400kHz)
	Stereo Separation	40dB (1kHz)	40dB (1kHz)
AM	Frequency Range (Frequency step)	530kHz~1700kHz (10kHz)	531kHz~1611kHz (9kHz) 530kHz~1700kHz (10kHz)
	Channel Space Selection	9k/10kHz	9k/10kHz
	Usable Sensitivity (S/N 20dB)	28dBμ (25μV)	28dBμ (25μV)
CD	Laser Diode	GaAlAs	GaAlAs
	Digital Filter (D/A)	8 Times OverSampling	8 Times OverSampling
	D/A Converter	1 Bit	1 Bit
	Spindle Speed (rpm)	500~200 (CLV)	500~200 (CLV)
	Wow & Flutter	Below Mesurable Limit	Below Mesurable Limit
	Frequency Response	10Hz~20kHz (±1dB)	10Hz~20kHz (±1dB)
	Total Harmonic Distortion	0.01% (1kHz)	0.01% (1kHz)
	S/N Ratio	93dB (1kHz)	93dB (1kHz)
	Dynamic Range	93dB	93dB
	Channel Separation	85dB	85dB
Preout Level/Load-Unbalanced		2000mV/10kΩ (CD)	2000mV/10kΩ (CD)
Preout Impedance		≤600Ω	≤600Ω
AMP	Maximum Power	45W x 4	45W x 4
	Full Bandwidth Power (at less than 1% THD)	22W x 4	22W x 4
TONE	Bass	100Hz±10dB	100Hz±10dB
	Middle	1kHz±10dB	1kHz±10dB
	Treble	10kHz±10dB	10kHz±10dB
GENERAL	Operating voltage (11~16V allowable)	14.4V	14.4V
	Current Consumption	10A	10A
	Installation Size (W x H x D)	182 x 53 x 155 mm (7-3/16 x 2-1/16 x 6-1/10 in)	182 x 53 x 155 mm
	Weight	1.40kg (3.1lbs)	1.40kg (3.1lbs)

KENWOOD follows a policy of continuous advancements in development. For this reason specifications may be changed without notice.

KENWOOD CORPORATION

2967-3, Ishikawa-machi, Hachioji-shi, Tokyo, 192-8525 Japan

KENWOOD USA CORPORATION
P.O. Box 22745, 2201 East Dominguez Street, Long Beach, CA 90801-5745, U.S.A.

KENWOOD ELECTRONICS CANADA INC.
6070 Kestrel Road, Mississauga, Ontario, Canada L5T 1S8

KENWOOD ELECTRONICS LATIN AMERICA S.A.
P.O. Box 55-2791 Paiteilla, Plaza Credicorp Bank Panama,
Piso 9, Oficina 901, Calle 50, Panama, Rep. de Panama

KENWOOD ELECTRONICS BRASIL LTDA.
Alameda Ministro Rocha Azevedo No. 456,
Edificio Jaú, 10o Andar, Cerqueira César, Cep 0140-001,
São Paulo-SP-Brasil

KENWOOD ELECTRONICS UK LIMITED
Kenwood House, Dwight Road, Watford, Herts, WD18 9EB, United Kingdom

KENWOOD ELECTRONICS DEUTSCHLAND GMBH
Rembrücker-Str. 15, 63150 Heusenstamm, Germany

KENWOOD ELECTRONICS FRANCE S.A.
13, Boulevard Ney, 75018 Paris, France

KENWOOD ELECTRONICS BELGIUM N.V.
Leuvensesteenweg 248 J, 1800 Vilvoorde, Belgium

KENWOOD ELECTRONICS ITALIA S.p.A.
Via G. Sirtori 7/9, 20129 Milano, Italy

KENWOOD IBÉRICA S.A.
Bolivia, 239-08020 Barcelona, Spain

KENWOOD ELECTRONICS AUSTRALIA PTY. LTD. (A.C.N. 001 499 074)
16 Giffnock Avenue, Centrecourt Estate, North Ryde,
N.S.W. 2113, Australia

KENWOOD ELECTRONICS (HONG KONG) LTD.
Unit 3712-3724, Level 37, Tower 1, Metroplaza, 223 Hing Fong Road, Kwai Fong, N.T.,
Hong Kong

KENWOOD ELECTRONICS GULF FZE
P.O. Box 61318, Jebel Ali, Dubai, U.A.E.

KENWOOD ELECTRONICS (THAILAND) CO., LTD.
2019 New Pechburi Road, Bangkok, Huaykwang, Bangkok, 10320 Thailand

KENWOOD ELECTRONICS SINGAPORE PTE. LTD.
1 Genting Lane, #07-00, Kenwood Building, Singapore, 349544

KENWOOD ELECTRONICS (MALAYSIA) SDN BHD
#4.01 Level 4, Wisma Academy Lot 4A, Jalan 19/1, 46300 Petaling Jaya, Selangor Darul Ehsan,
Malaysia